

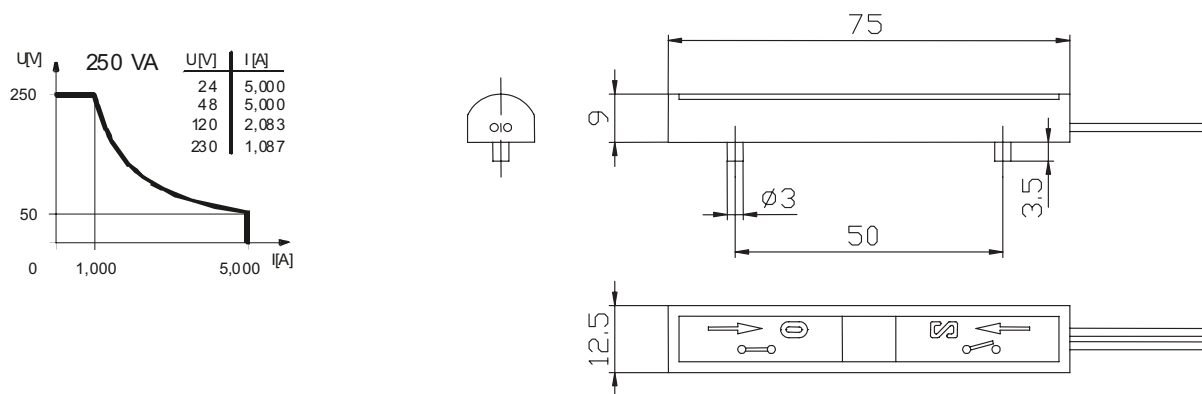
## Accessories

### Switching Module

Description **Schaltmodul VST (B)**

Article number **4910007069**

#### Performance diagram



#### Electrical Data

max. Voltage	250 V
max. Switch current	0,5 A
max. Switching	30 VA
Switching function	1 bistable normally-open or normally-closed contact (depending on the mounting position)

#### Mechanical Data

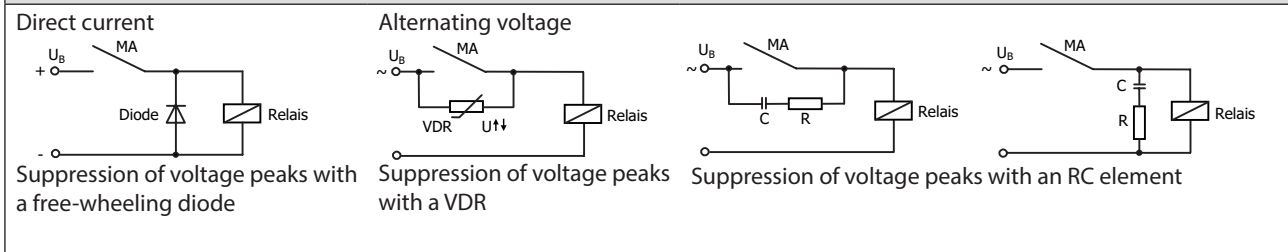
Enclosure	PA
Temperature range	-5 °C ... +100 °C
mech. Lifetime	10 <sup>7</sup> to 10 <sup>9</sup> switches
Connection	2,1m, PVC-wire 2 x 0,56 mm <sup>2</sup>
Protection type	IP 65 acc. to IEC 529/ EN 60529

<b>Standards</b>
DIN EN 60947-5-1

<b>EU Conformity</b>
acc. to directive 2014/35/EU

<b>General details</b>
The switching contacts have to be operated onetime before starting with regular use. Matching floats: Art.-No.: 4945216032, Ø52x55, PVC Art.-No.: 4942299023, Ø52x55, 1.4571

**Inductive loads**



**Capacitive loads and lamp loads**

