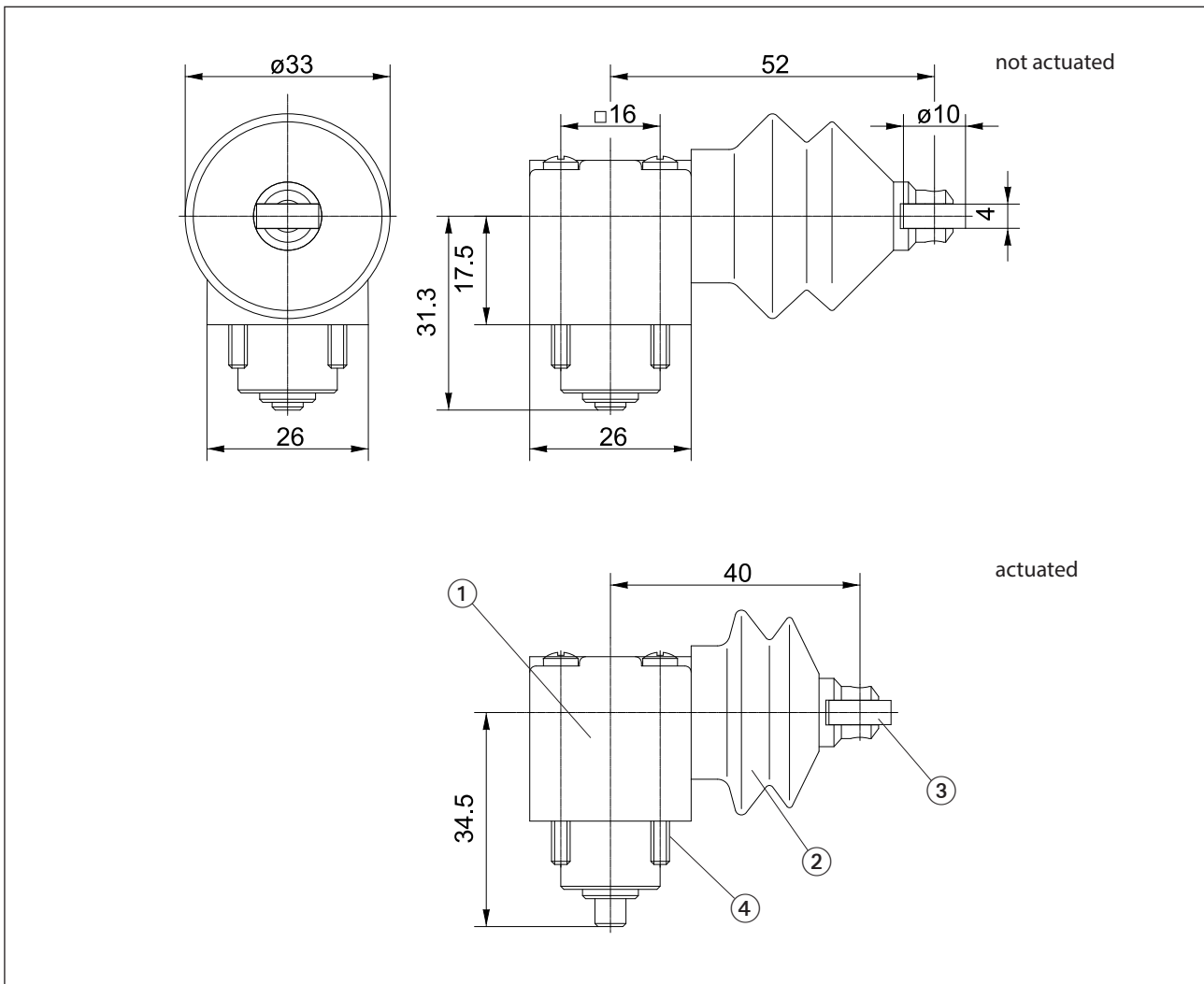


Actuator
Series ENM

Description **WR-E-EINR.ENM**

Article number **3918420676**



Material	
①	zinc diecasting
②	NBR
③	stainless steel
④	Steel, zinc plated