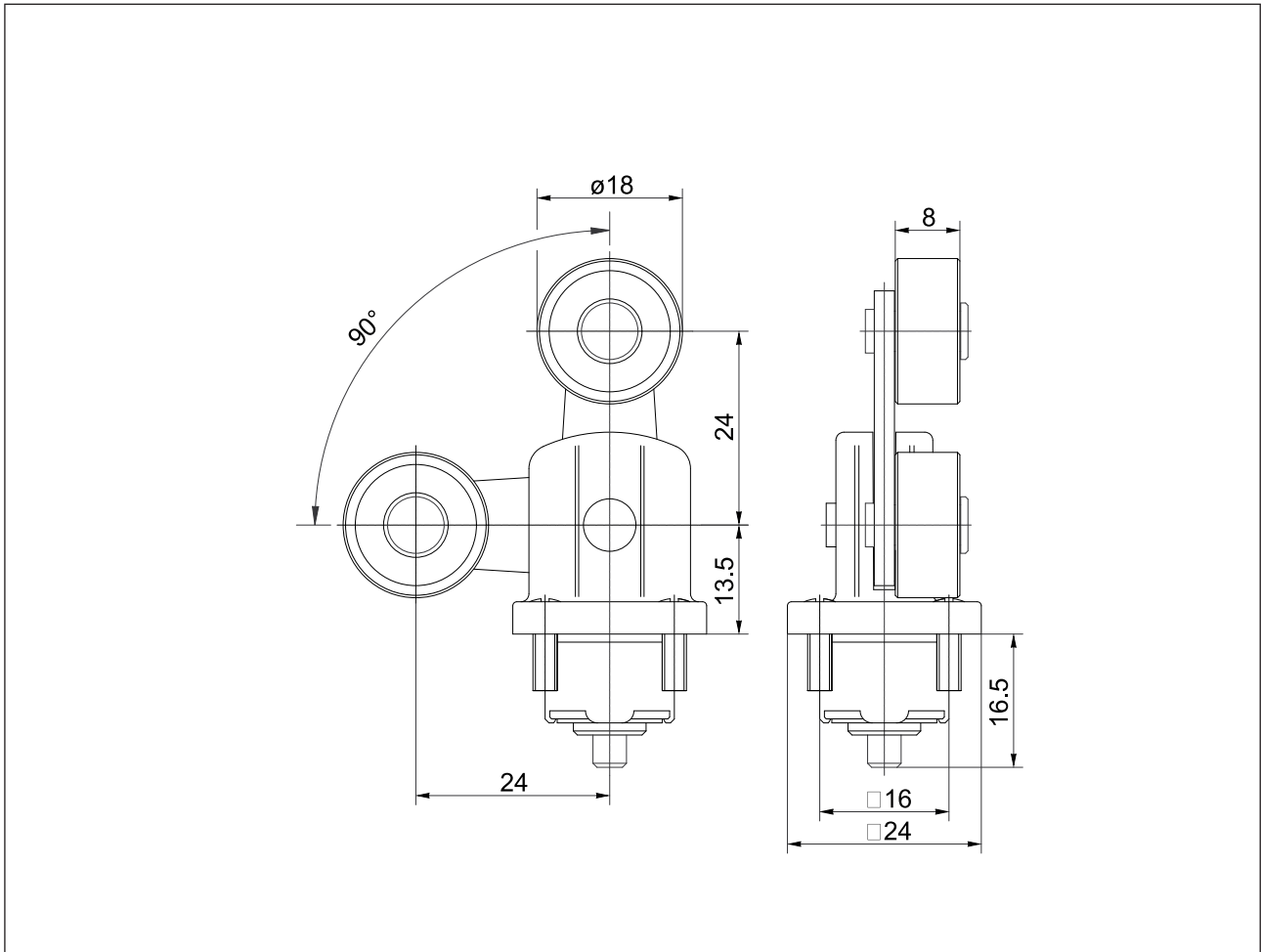


**Equipments**  
Bi-stable roller lever

Description **DR-E-EINR.ENK**

Article number **3918410946**



**Mechanical data**

Enclosure	Zn-die cast
Lever	Steel
Roller	Thermoplastic