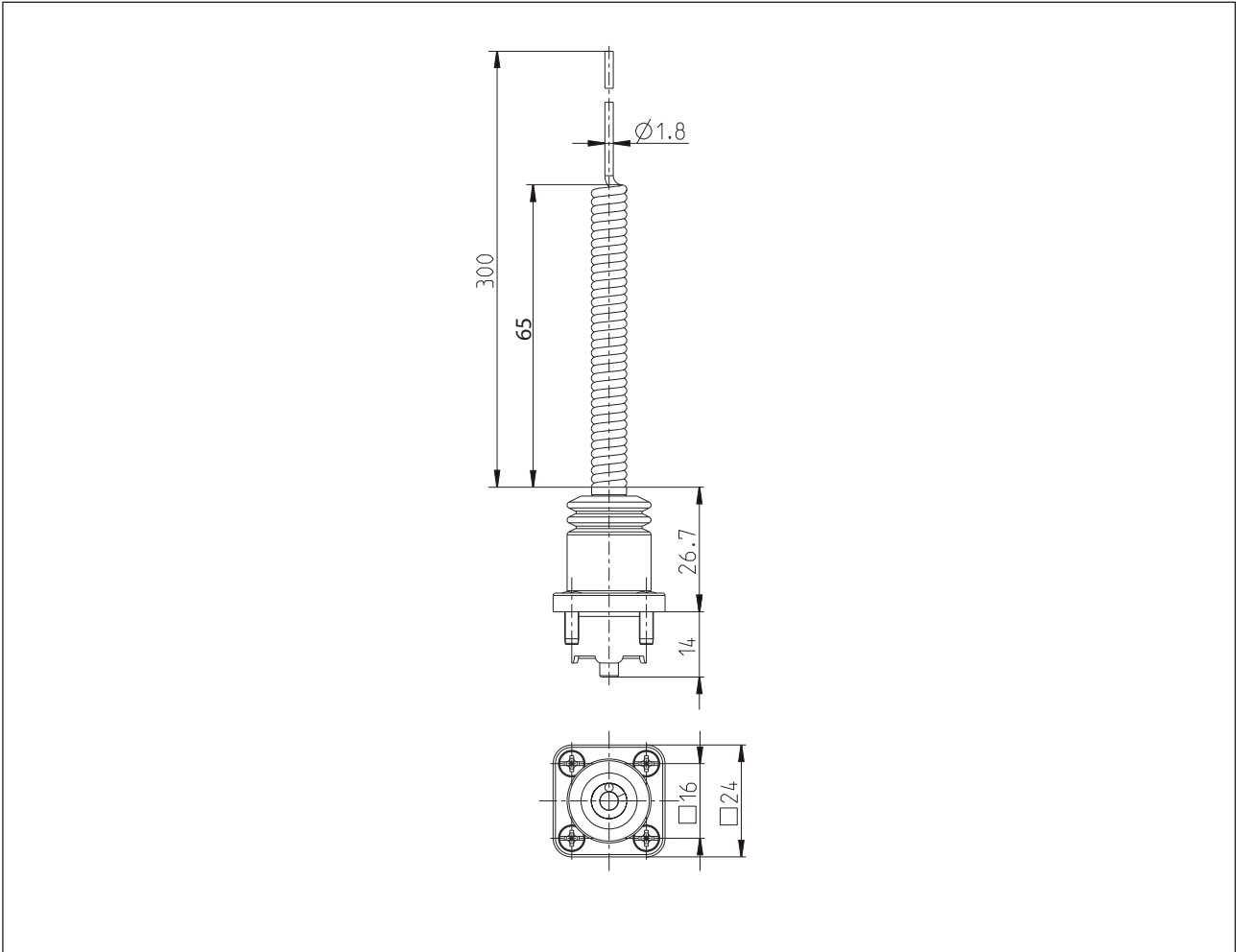


Actuator
Series GC

Description **FFL-E-EINR.-GC**

Article number **3912401819**



Mechanical data

Bearing bracket	GD-Zn
Spring lever	Spring wire acc. to DIN EN 10270-3