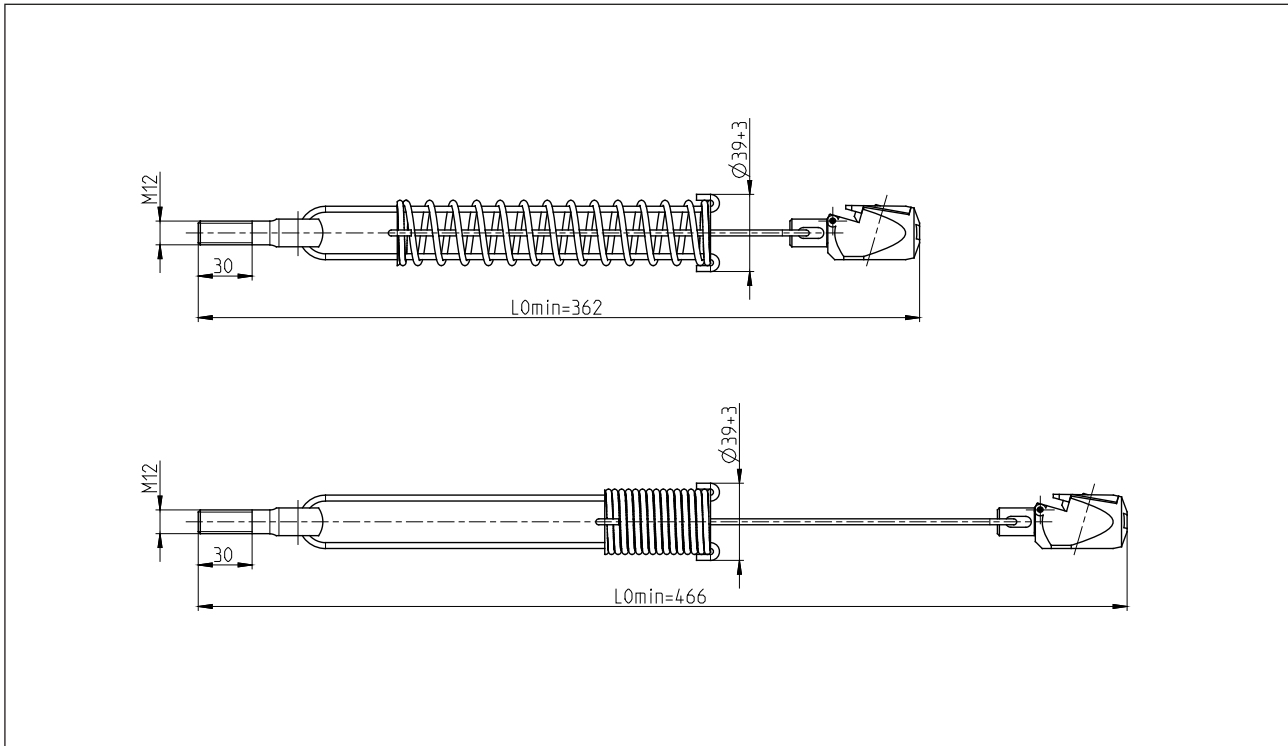


Rope pull switch

Accessory rope pull switch

Description **SEILZUGFEDER-SR 100/175**

Article number **3911042153**



Mechanical data

Spring force	F_n	218 N
Spring rate	R	2.1 N/mm
Material	Wire acc. to DIN 2076 – 1.4310, Rope clamp - Zinc-base die-casting alloy, Eye bolt acc. to DIN 444 – 4.6	
Plating	Thick-film passivated (except spring), RoHs-conform	