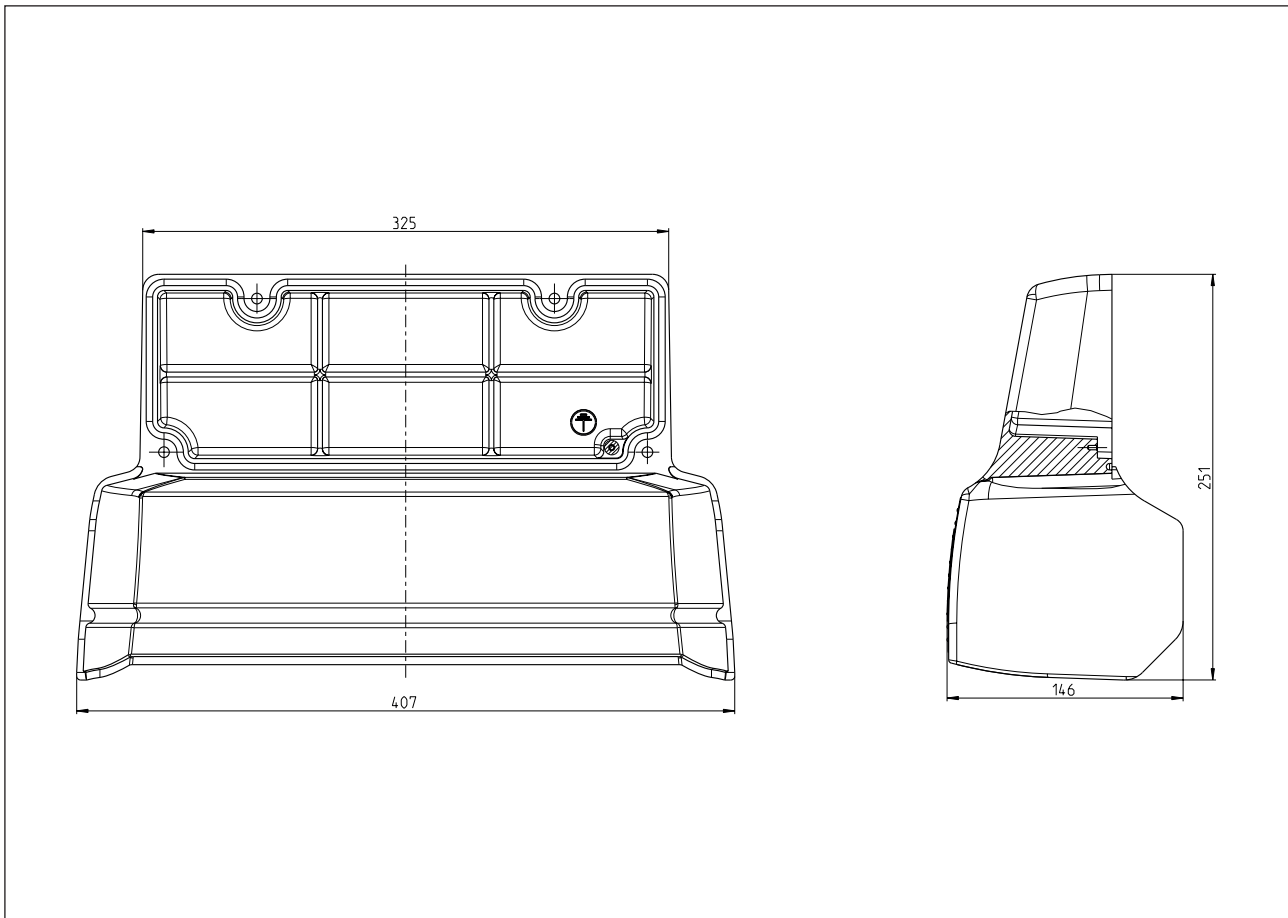


Foot-switch Protective guard Series F2

Description **F2-UN-HAUBE M.FKZ KOMP.**

Article number **3906030721**



Mechanical data

Protective hood	Aluminium casting alloy, colour: RAL 3016 (coral red)
Gasket	Foam rubber
Screw	4 x M6 screw (galvanized)

Application

Suitable for the corresponding BERNSTEIN foot switches series F3.