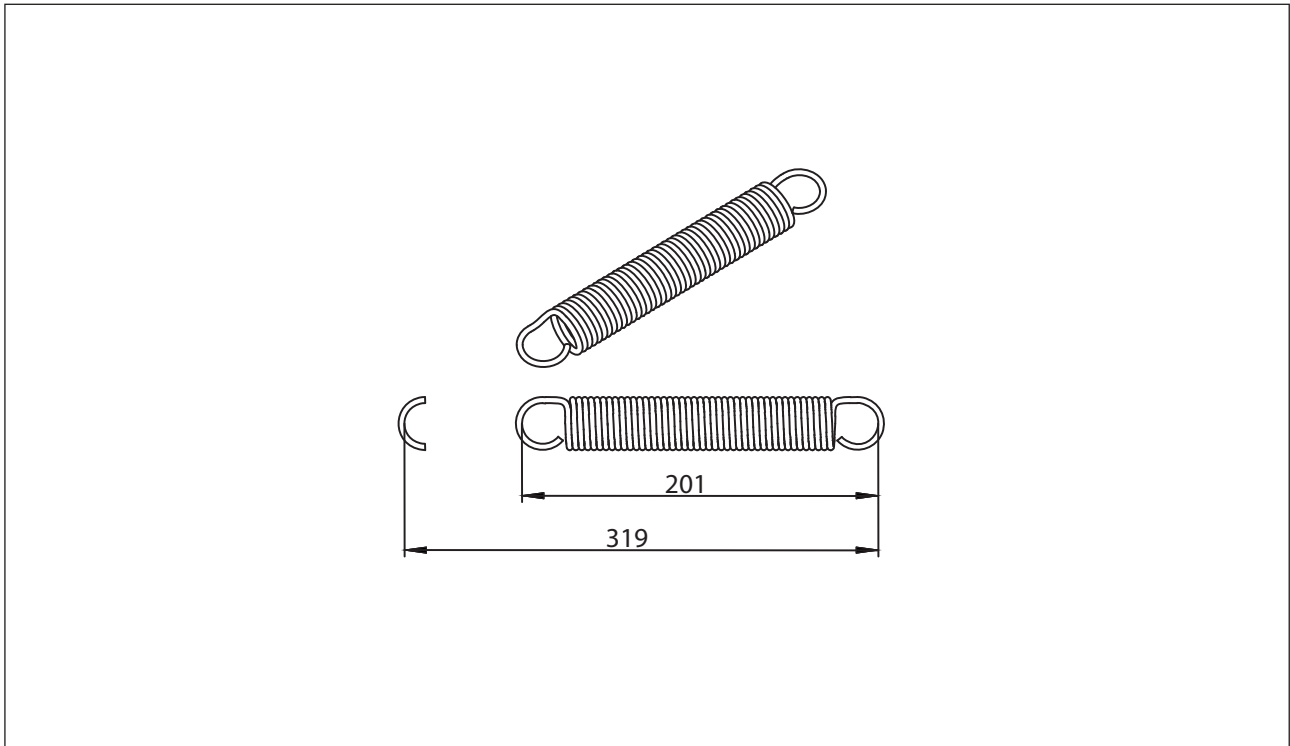


## Rope pull switch

### Accessory rope pull switch

Description **ZUGFEDER 4X201**

Article number **3652100198**



#### Mechanical data

Spring force	$F_o$	35,2 N
	$F_n$	450 N
Spring rate	R	3.490 N/mm
Eyeform		acc. to DIN 2097
Material		Wire acc. to DIN 2076 – 1.4310