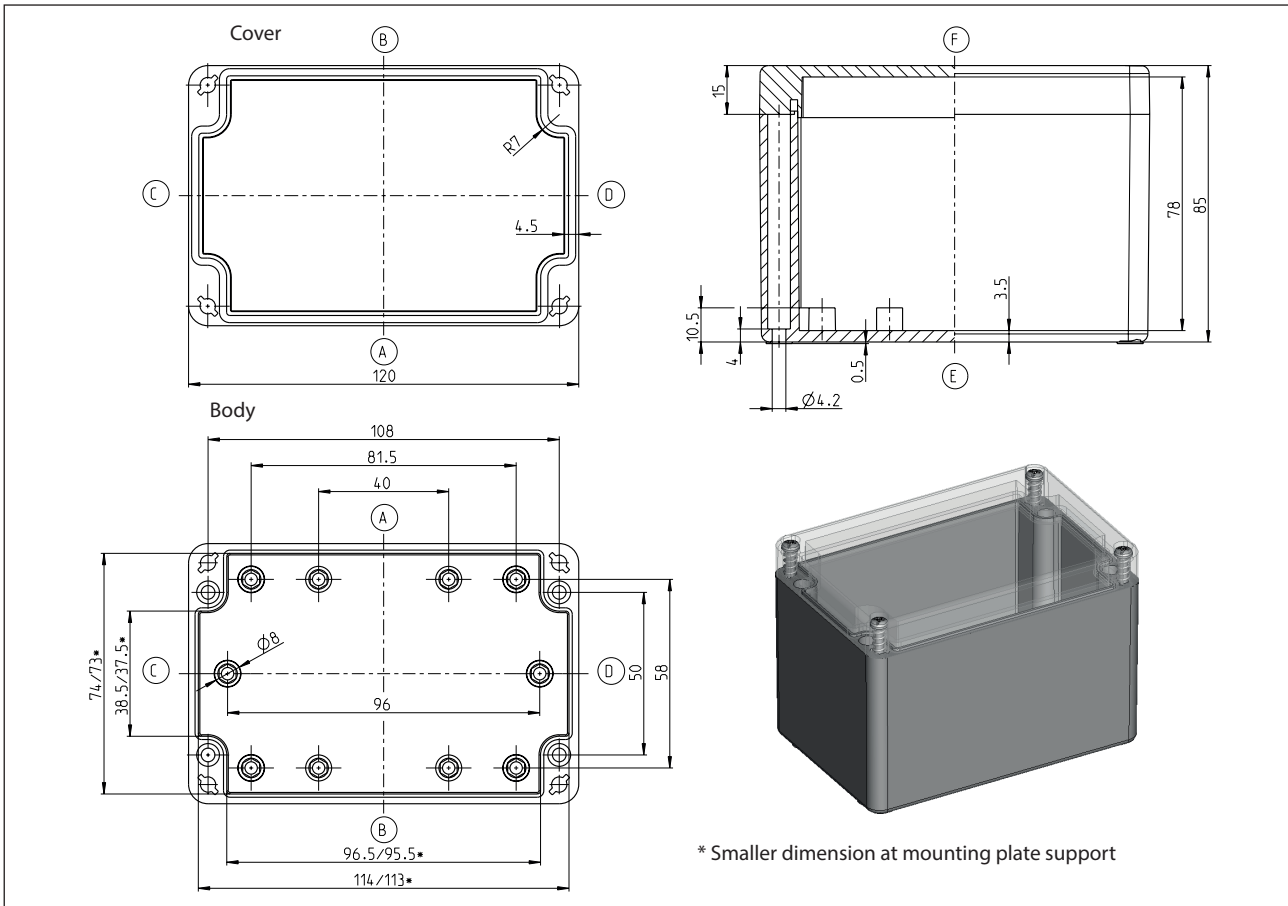


**Standard enclosure**  
Series CT (ABS)

Designation CT-602 T ABS Article number 360100000



**Standard version**

Scope of supply:

- Base of enclosure
- Enclosure cover
- Quick-release screw (cross recessed head) enclosed loosely
- Colour RAL 7035 (light grey)
- Cover gasket PUR (polyurethane)
- Internal mounting plugs for selftapping screws (are included)
- Individually packaged in foil


**Maximum possible number of thread** (figures for identical diameter, not mixed!)

| ISO M    | M12 | M16 | M20 | M25 | M32 | M40 | M50 | M63 |
|----------|-----|-----|-----|-----|-----|-----|-----|-----|
| Page A/B | 15  | 6   | 6   | 3   | 2   | 1   | 1   | 0   |
| Page C/D | 5   | 2   | 1   | 1   | 1   | 0   | 0   | 0   |

**Property chart CT-602 T**

| Specification                                 | Value               | According to the standard | Remark   |
|---|---------------------|---------------------------|--|
| <b>General data:</b>                          |                     |                           |  |
| Weight  | 192 g               |                           |  |
| External dimensions                           | 120 x 80 x 85       |                           |  |
| Protection classes                            |                     |                           |  |
| IP code                                       | IP 66               | EN 60529                  |  |
| IK code                                       | IK 07               | IEC 62262                 |  |
| Material                                      |                     |                           |  |
| Enclosure                                     |                     |                           |  |
| Body  | ABS                 |                           | light grey   |
| Cover   | Polycarbonat (PC)   |                           | transparent  |
| Quick-release fastener                        | 1.4303              |                           | DIN EN 10088-3   |
| Screws  | A2 - 70             |                           | DIN EN ISO 3506-1  |
| Seal  | PUR (Polyurethan)   |                           | Colour: dark grey, 2-component polyurethane foam seal    |
| Toxic behaviour                               | halogen-free        |                           |  |
| <b>Thermal properties:</b>                    |                     |                           |  |
| Fire behaviour                                |                     |                           |  |
| Flammability                                  | HB                  | UL 94                     | Contentwise alike with EC60695-11-10 and IEC60695-11-20  |
| Flame class:                                  | 1,2 mm HB 75        | IEC 60695-11-10           |  |
| Flame class:                                  | 1,5 mm HB 75        | IEC 60695-11-10           |  |
| Flame class:                                  | 3 mm HB 40          | IEC 60695-11-10           |  |
| Temperature range                             |                     |                           |  |
| Enclosure without a seal                      | -40 °C bis +120 °C  |                           |  |
| Seal PUR                                      | -40 °C bis +100 °C  |                           |  |
| Temperature index Enclosure material          |                     |                           |  |
| RTI (tensile strength)                        | 60 °C               | UL 746 B                  |  |
| RTI (impact strength)                         | 60 °C               | UL 746 B                  |  |
| RTI (dielectric strength)                     | 60 °C               | UL 746 B                  |  |
| Ambient temperatur according to DIN EN 62208  |                     |                           |  |
| Indoor application                            | -5 °C bis +40 °C    | DIN EN 62208              | On the average over 24h +35°C                            |
| Relative humidity according to DIN EN 62208   |                     |                           |  |
| Indoor application                            | max. 50% bei -40 °C | DIN EN 62208              | with low temperatures also higher (for ex. 90% at +20°C) |
| Storage temperature                           | -20 °C bis +60 °C   |                           |  |
| Enclosure-specific thermal conductivity value | 5,21 K/W            |                           | taking account of effective dissipation loss             |

**Property chart CT-602 T**

| Specification                      | Value                | According to the standard | Remark  |
|------------------------------------|----------------------|---------------------------|---|
| <b>Mechanical properties:</b>      |                      |                           |   |
| Torques                            |                      |                           |   |
| quick – release screw              | 1/4 Rotation         |                           |   |
| Attachment of accessories          | 1,0 Nm               |                           | for ex. mounting plates, mounting rails   |
| Other mounting                     | 1,0 Nm               |                           | Screw channel,<br>External mounting brackets  |
| Maximum installation weight        | 0,6 kg               |                           |   |
| <b>Electrical characteristics:</b> |                      |                           |   |
| Protection class                   | II                   | EN 61140 / VDE 0140-1     |  Protection by double or reinforced insulation |
| Rated voltage                      | max. 1000V           |                           | Maximum length of the extension arm   |
| Surface resistivity                | 10 <sup>16</sup> Ohm | IEC 60093                 |   |
| Dielectric strength                | 23 kv/mm             | IEC 60243-1               | short-term  |
| <b>More details:</b>               |                      |                           |   |
| General tolerance                  | mH                   | ISO 2768                  |   |
| Product standard                   | Yes                  | DIN EN 62208              | Empty enclosures for low-voltage switchgear assemblies  |
| Approvals                          |                      |                           |   |
| c UL us                            | No                   |                           |   |
| Compliances                        |                      |                           |   |
| RoHs                               | Yes                  | Directive 2011/65/EU      |   |
| CE label                           | Yes                  | EC-No 765/2008            |   |
| Low-Voltage-Directive No.:         | 2014/35/EU           |                           |   |

### Other versions / Accessories

The following information is not a standard. Approvals, compliances and protection classes of these versions upon request.

| <b>Other version CT-602 T</b>                                      |                |
|--|----------------|
| Description of the modification compared with the standard version | Article number |
| ABS, with transparent cover (PC) and screw fastener                | on request     |

| <b>Possible Accessories / as individual parts or as assembly set</b>         |                |
|--|----------------|
| Description of the modification compared with the standard version           | Article number |
| Mounting plate   | 9512012000     |
| Mounting rail TS 15  | 9820009000     |
| Mounting rail TS 32  | -              |
| Mounting rail TS 35  | 9822002000     |
| Earthing rail (secured on central bosses C/D)                                | 9810001000     |
| External mounting brackets   | 9802002000     |
| External articulated hinges (mechanical machining of the enclosure required) | 9802025000     |
| Internal articulated hinges (flexible)                                       | 9801076000     |
| Mounting bushes with 4 screws M3 x 8   | 9800025000     |

| <b>Optional seals</b>      |                    |                           |            |
|----------------------------|--------------------|---------------------------|------------|
| Specification              | Value              | According to the standard | Remark     |
| <b>Thermal properties:</b> |                    |                           |            |
| CR seal                    | -30 °C bis +80 °C  |                           | IP65       |
| Silicone foam seal         | -60 °C bis +130 °C |                           | on request |
| Silicone complete seal     | -60 °C bis +200 °C |                           | on request |
| EPDM seal                  | -35 °C bis +100 °C |                           | on request |
| HF seal                    | -55 °C bis +125 °C |                           | on request |