

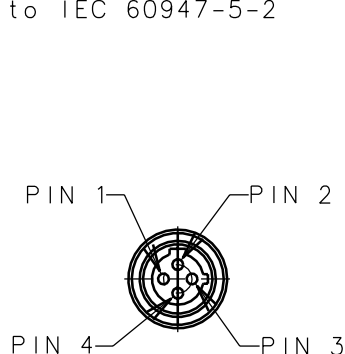


Type: AN-KAB.SHS 5M AC GERADE

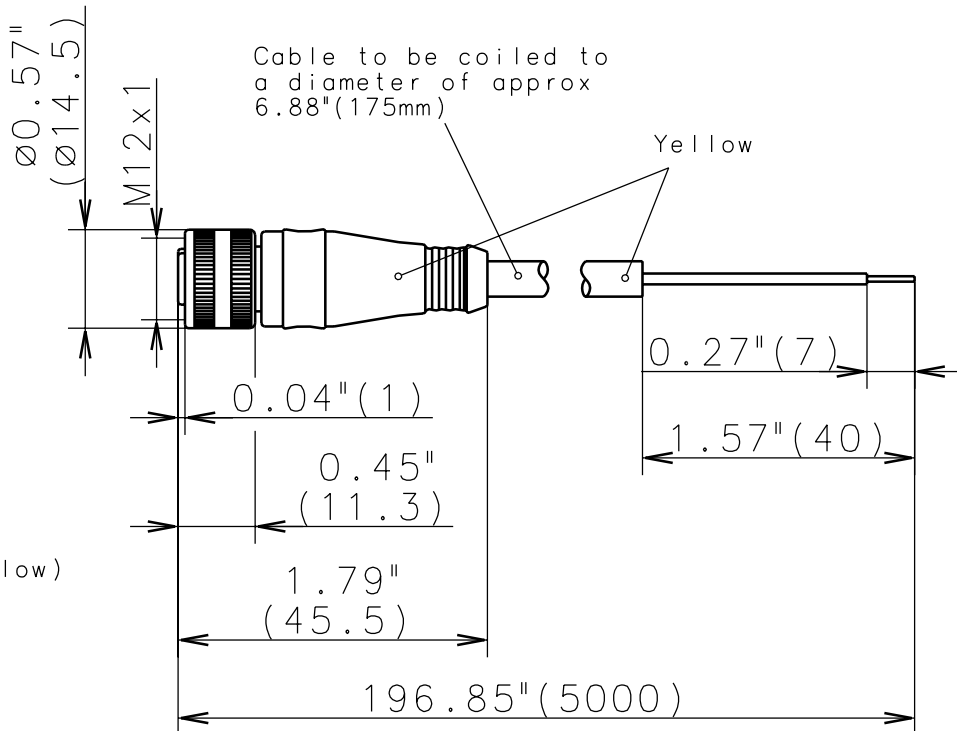
Art.-No.: 325.1004.219

Date: 29.10.01

Face view and contact configuration according to IEC 60947-5-2



Pin No.	Wire
1	BN (Brown)
2	BK (Black)
3	BU (Blue)
4	GNYE (Green/Yellow)



Colour code of leads according to IEC 757

Mechanical features	Electrical features	Standards:
Polution degree: 3	Nominal Voltage: 250V/300V	IEC 60664-1
IP-degree of protection: IP68 (plug connected)	Rated current: 4A	IEC 60512-3 Test 5b
	Insulation resistance : >10 ⁹ Ω	IEC 60512-2 Test 3a
Temperature range: -25°C/+90°C	Rated impulse with-stand voltage: 2kV	IEC 60529
Mating torque of coupling nut: 100-150Ncm		
Min. single cable strand Ø: 0.34mm ²		
Cable outer jacket 4x0.34mm ²		
Material: PVC		
Jacket diameter: 5.0mm		
with selfsecuring coupling nut		
gaskets: O-Ring		

Safety instructions