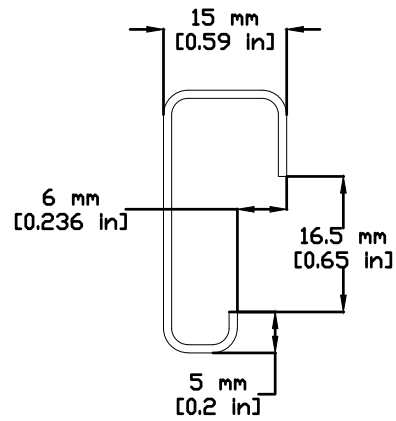
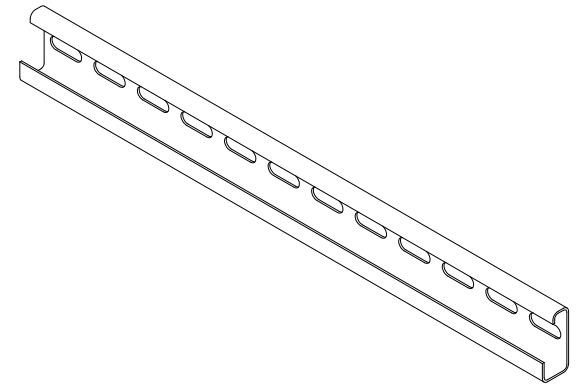
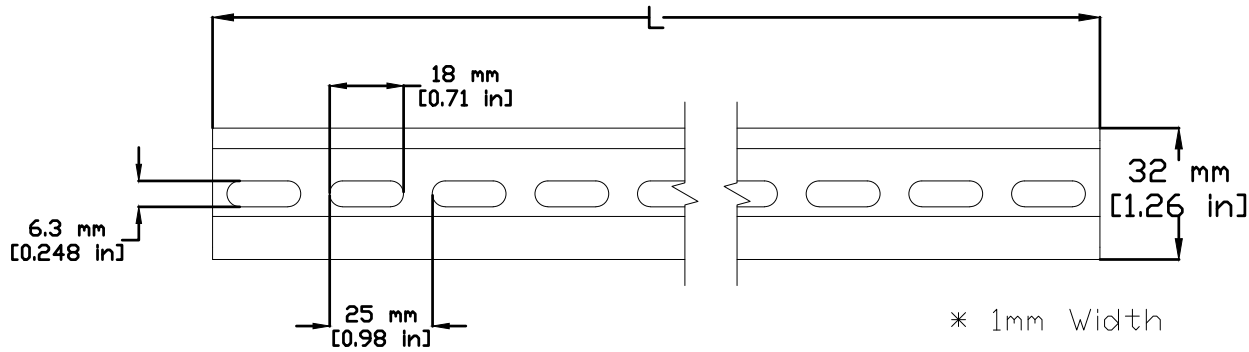


REVISIONS FOR DWG # 2511160XX

REV	CH.NO.	DESCRIPTION	DATE	REVISED BY
-	-	ORIGINAL DESIGN	08/23/16	ARON G



SCALED 2:1

Part Number	Length
2511160	2m [78.7 in]
2511160X/1M	1m [39.4 in]

UNLESS OTHERWISE SPECIFIED  
 • ALL DIMENSIONS ARE IN MILLIMETERS  
 • THIRD ANGLE PROJECTION

• TOLERANCE	
XX	± 1.00 mm
XX.X	± 0.50 mm
XX.XX	± 0.20 mm
ALL	± XX mm

CIRTEM

This Drawing is the property of

**Altrech Corp.**<sup>®</sup>

35 Royal Road  
 Flemington NJ 08822-6000  
 (908) 806-9400 • Fax (908) 806-9490

AND IS A CONFIDENTIAL DISCLOSURE LENT WITHOUT CONSIDERATION OTHER THAN THE BORROWER'S AGREEMENT THAT IT SHALL NOT BE REPRODUCED, COPIED, LENT, OR DISPOSED OF DIRECTLY OR INDIRECTLY NOR USED FOR ANY PURPOSE OTHER THAN THAT FOR WHICH IT IS SPECIFICALLY FURNISHED.

TITLE: DIN32 Mounting Rail, Perforated, Steel  
 PN: 2511160XX

DRAWN BY: Aron Gyorgypal	08/23/16	DRAWING NO.:	M-Cad-8-2511160XX	REV.:	-
CHECKED BY: Laszlo G	08/23/16	SCALE:	-	SHEET:	1 OF: 1
RELEASED BY: Laszlo G	08/23/16				