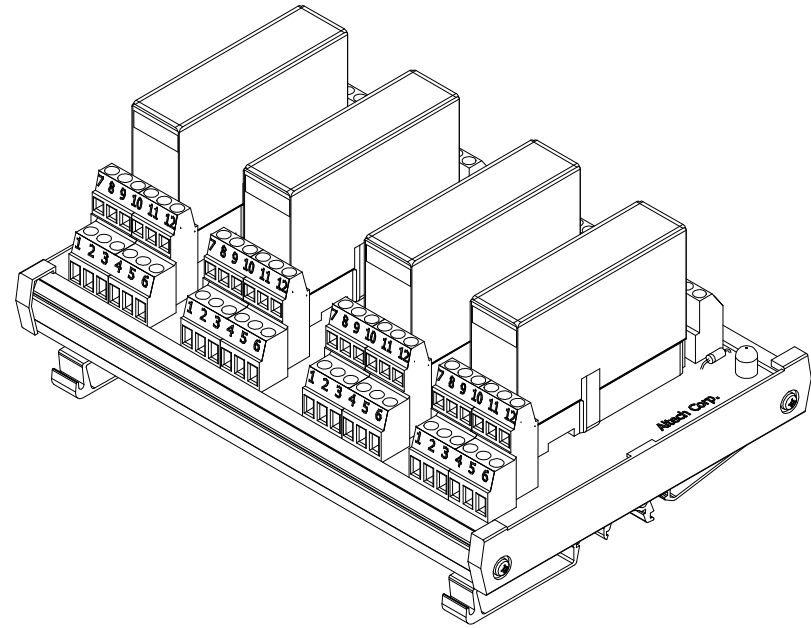
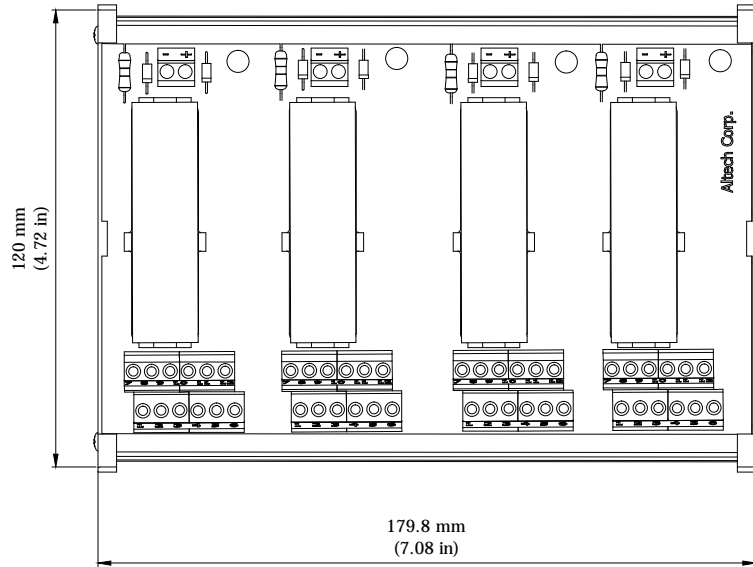
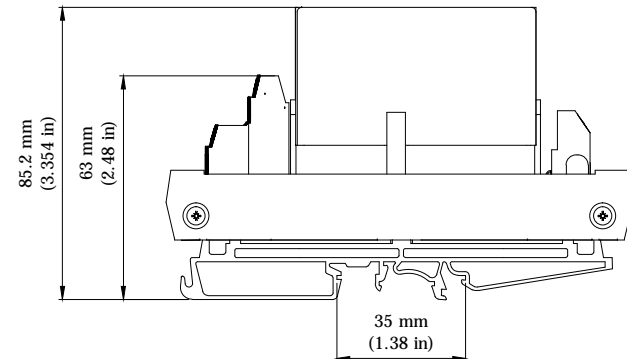
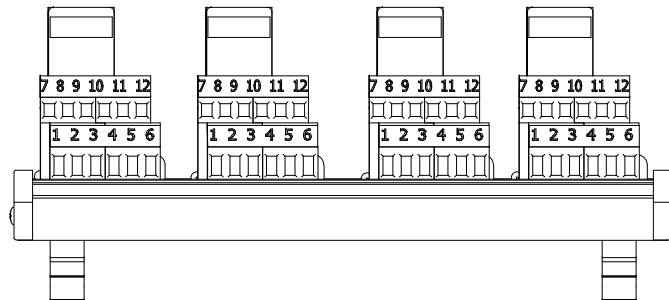


REVISIONS FOR DWG # 71-456.0A02

REV	CH.NO.	DESCRIPTION	DATE	REVISED BY
-	-	ORIGINAL DESIGN	07/15/15	ARON G



Interactive 3D Model



UNLESS OTHERWISE SPECIFIED  
 • ALL DIMENSIONS ARE IN MILLIMETERS  
 • THIRD ANGLE PROJECTION

• TOLERANCE

XX	ID	1.00 mm
XX.X	ID	0.50 mm
XX.XX	ID	0.20 mm
ALL	ID	XX mm

C-RTM

This Drawing is the property of

**Altech Corp.**

35 Royal Road  
 Flemington NJ 08822-6000  
 (908) 806-9400 • Fax (908) 806-9490

AND IS A CONFIDENTIAL DISCLOSURE LENT WITHOUT CONSIDERATION OTHER THAN THE BORROWER'S AGREEMENT THAT IT SHALL NOT BE REPRODUCED, COPIED, LENT, OR DISPOSED OF DIRECTLY OR INDIRECTLY NOR USED FOR ANY PURPOSE OTHER THAN THAT FOR WHICH IT IS SPECIFICALLY FURNISHED.

TITLE: Safety Relay Module 6 Pole 10 Amp  
 4 Channel; PN:456.0A02

DRAWN BY: Aron Gyorgypal	07/15/15	DRAWING NO.:	M-Cad-71-456.0A02	REV.:	-
CHECKED BY: Laszlo G	07/15/15	SCALE:	-	SHEET: 1	OF: 1
RELEASED BY: Laszlo G	07/15/15				