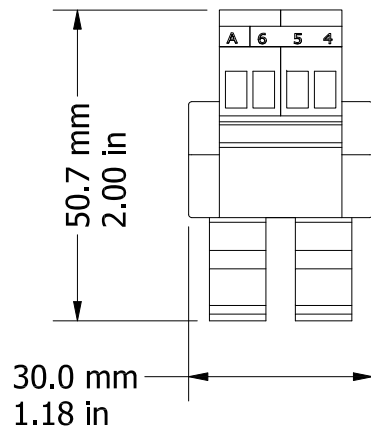
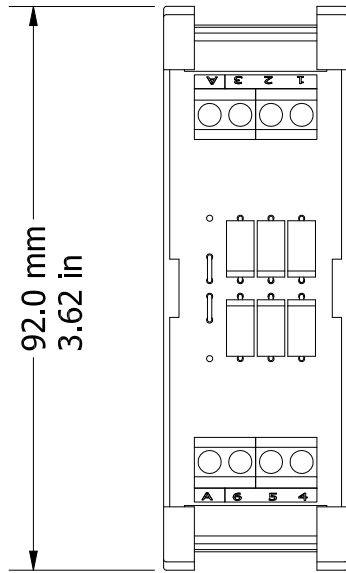
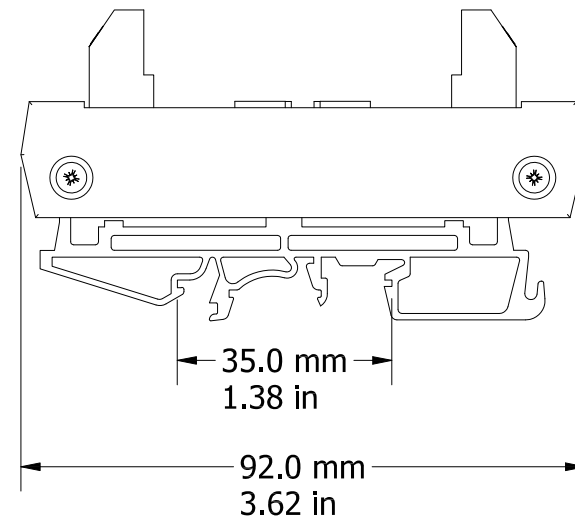


REVISIONS FOR DWG # 7I-8850.3

REV	CH.NO.	DESCRIPTION	DATE	REVISED BY
-	-	ORIGINAL DESIGN	12/30/13	ROLAND G



Interactive 3D Model



UNLESS OTHERWISE SPECIFIED
 • ALL DIMENSIONS ARE IN MILLIMETERS
 • THIRD ANGLE PROJECTION

This Drawing is the property of



35 Royal Road
 Flemington NJ 08822-6000
 (908) 806-9400 • Fax (908) 806-9490

AND IS A CONFIDENTIAL DISCLOSURE
 LENT WITHOUT CONSIDERATION OTHER
 THAN THE BORROWER'S AGREEMENT
 THAT IT SHALL NOT BE REPRODUCED,
 COPIED, LENT, OR DISPOSED OF
 DIRECTLY OR INDIRECTLY NOR USED
 FOR ANY PURPOSE OTHER THAN THAT
 FOR WHICH IT IS SPECIFICALLY
 FURNISHED.

TITLE: INTERFACE DIODE MODULE
 PN: 8850.3

• TOLERANCE

XX	Ⓜ	1.00 mm
XX.X	Ⓜ	0.50 mm
XX.XX	Ⓜ	0.20 mm
ALL	Ⓜ	XX mm

C-RTM

DRAWN BY: ROLAND GYORGYPAL	12/30/2013
CHECKED BY: LASZLO G	12/30/2013
RELEASED BY: LASZLO G	12/30/2013

DRAWING NO.:	M-CAD-7I-8850.3	REV.:	-
SCALE:	-	SHEET: 1	OF: 1