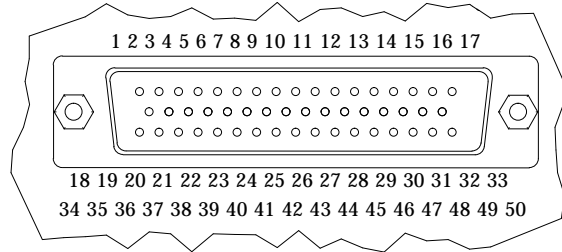
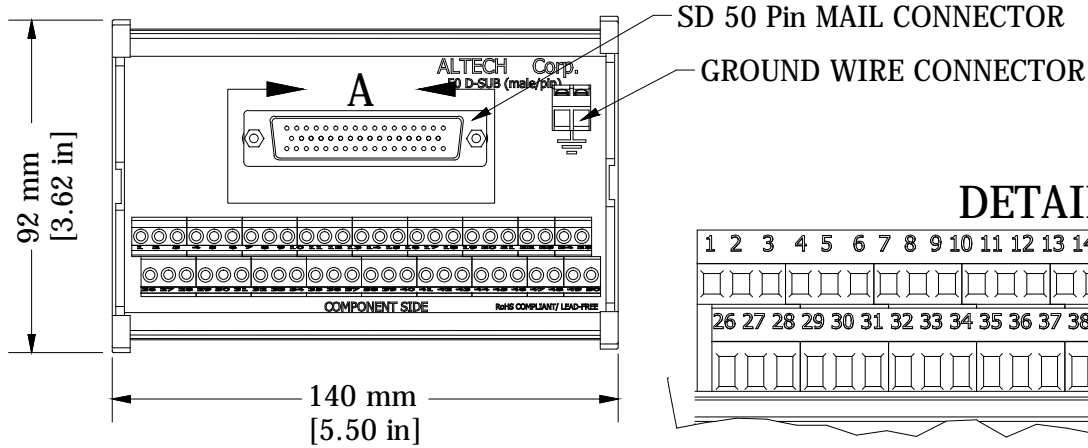


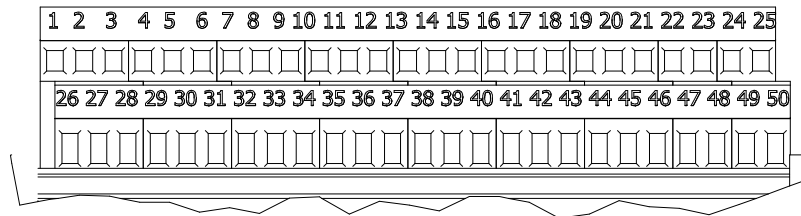
DETAIL A



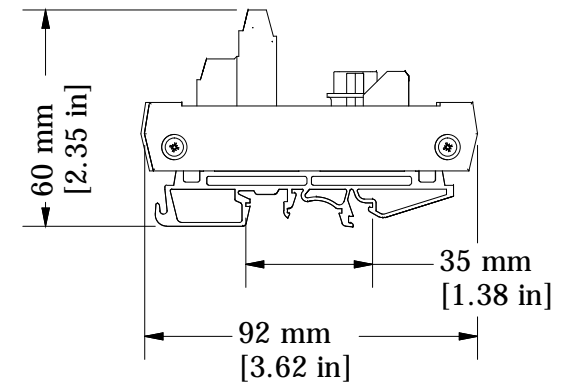
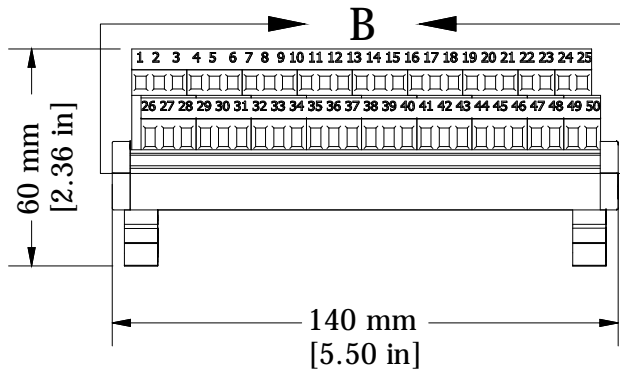
REVISIONS FOR DWG # 71-SubD 50M				
REV	CH.NO.	DESCRIPTION	DATE	REVISED BY
-	-	ORIGINAL DESIGN	01/18/13	ROLAND G



DETAIL B



Interactive 3D Model



UNLESS OTHERWISE SPECIFIED

- ALL DIMENSIONS ARE IN MILLIMETERS
- THIRD ANGLE PROJECTION

TOLERANCE	UNIT	VALUE
XX	mm	1.00
XX.X	mm	0.50
XX.XX	mm	0.20
ALL	mm	XX

This Drawing is the property of

Altech Corp.

35 Royal Road
Flemington NJ 08822-6000
(908) 806-9400 • Fax (908) 806-9490

AND IS A CONFIDENTIAL DISCLOSURE LENT WITHOUT CONSIDERATION OTHER THAN THE BORROWER'S AGREEMENT THAT IT SHALL NOT BE REPRODUCED, COPIED, LENT, OR DISPOSED OF DIRECTLY OR INDIRECTLY NOR USED FOR ANY PURPOSE OTHER THAN THAT FOR WHICH IT IS SPECIFICALLY FURNISHED.

TITLE: INTERFACE CONNECTOR TO WIRE MODULE Sub-D; 50 Pin; MALE; PN:5744.2				
DRAWN BY: ROLAND GYORGPAL	01/18/2013	DRAWING NO.:	M-CAD-71-SubD50M	
CHECKED BY: LASZLO G	01/18/2013	SCALE:	-	REV.: -
RELEASED BY: LASZLO G	01/18/2013	SHEET:	1	OF: 1