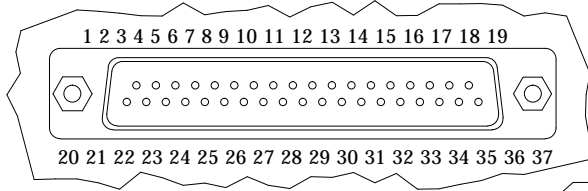
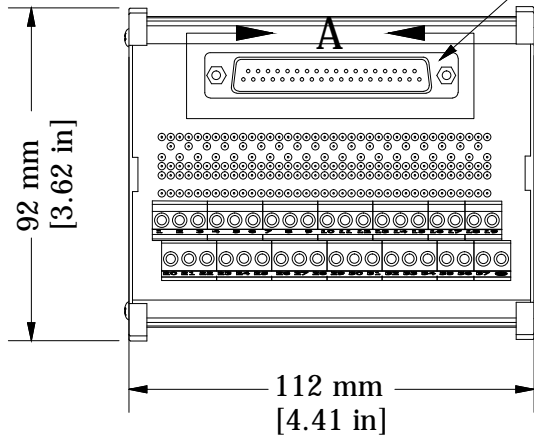


REVISIONS FOR DWG # 71-SubD 37M				
REV	CH.NO.	DESCRIPTION	DATE	REVISED BY
-	-	ORIGINAL DESIGN	01/18/13	ROLAND G

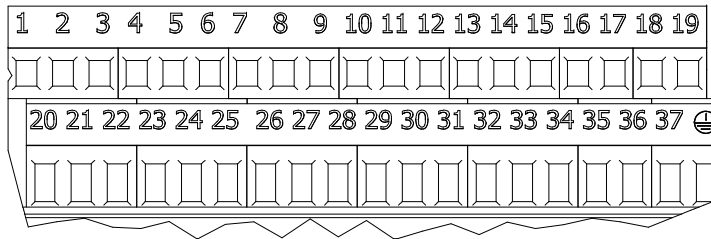
DETAIL A



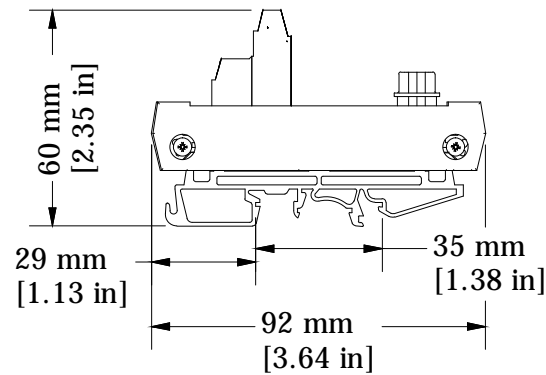
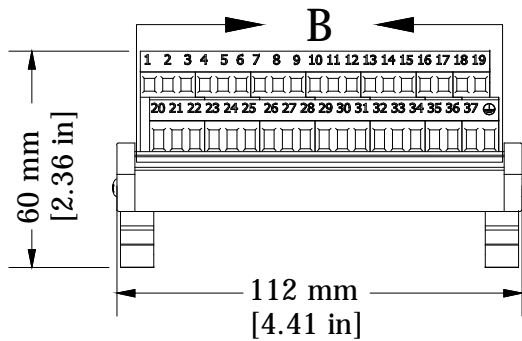
SD 37 Pin MALE CONNECTOR



DETAIL B



Interactive 3D Model



UNLESS OTHERWISE SPECIFIED

- ALL DIMENSIONS ARE IN MILLIMETERS
- THIRD ANGLE PROJECTION

• TOLERANCE	
XX	1.00 mm
XX.X	0.50 mm
XX.XX	0.20 mm
ALL	XX mm

This Drawing is the property of

Altrech Corp.[®]

35 Royal Road
Flemington NJ 08822-6000
(908) 806-9400 • Fax (908) 806-9490

AND IS A CONFIDENTIAL DISCLOSURE LENT WITHOUT CONSIDERATION OTHER THAN THE BORROWER'S AGREEMENT THAT IT SHALL NOT BE REPRODUCED, COPIED, LENT, OR DISPOSED OF DIRECTLY OR INDIRECTLY NOR USED FOR ANY PURPOSE OTHER THAN THAT FOR WHICH IT IS SPECIFICALLY FURNISHED.

TITLE: INTERFACE CONNECTOR TO WIRE MODULE Sub-D; 37 Pin; MALE; PN:5743.2			
DRAWN BY: ROLAND GYORGYAL	01/18/2013	DRAWING NO.:	REV.:
CHECKED BY: LASZLO G	01/18/2013	M-CAD-71-SubD37M	-
RELEASED BY: LASZLO	01/18/2013	SCALE: -	SHEET: 1 OF: 1