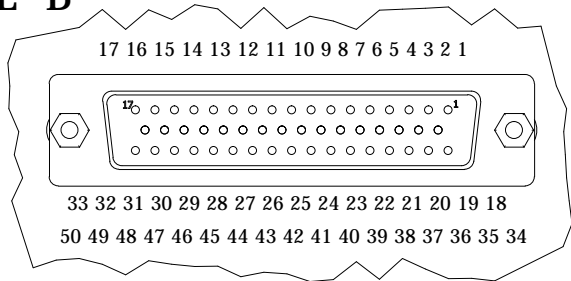
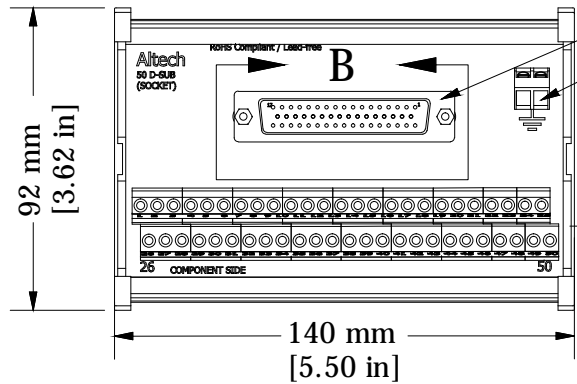


# DETAIL B

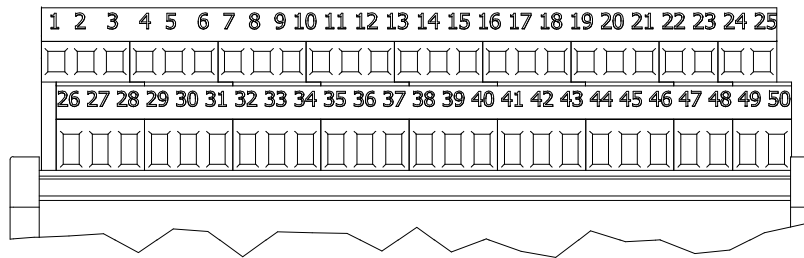


REVISIONS FOR DWG # 71-SubD 50F				
REV	CH.NO.	DESCRIPTION	DATE	REVISED BY
-	-	ORIGINAL DESIGN	01/18/13	ROLAND G

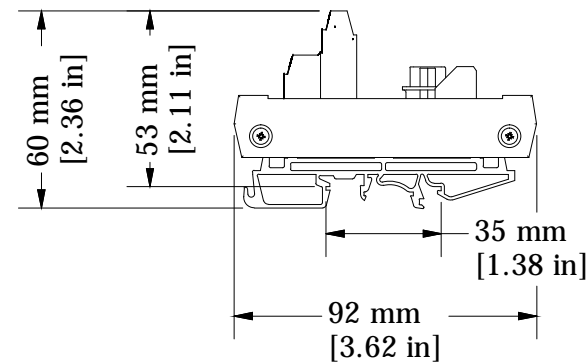
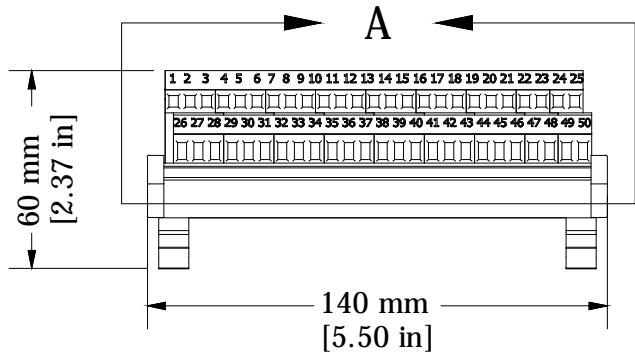


SD 50 Pin FEMALE CONNECTOR  
GROUND WIRE CONNECTOR

# DETAIL A



Interactive 3D Model



UNLESS OTHERWISE SPECIFIED  
 • ALL DIMENSIONS ARE IN MILLIMETERS  
 • THIRD ANGLE PROJECTION

TOLERANCE	XX	XX.X	XX.XX	ALL
ID	1.00 mm	0.50 mm	0.20 mm	XX mm

This Drawing is the property of  
**Altech Corp.**  
 35 Royal Road  
 Flemington NJ 08822-6000  
 (908) 806-9400 • Fax (908) 806-9490

AND IS A CONFIDENTIAL DISCLOSURE LENT WITHOUT CONSIDERATION OTHER THAN THE BORROWER'S AGREEMENT THAT IT SHALL NOT BE REPRODUCED, COPIED, LENT, OR DISPOSED OF DIRECTLY OR INDIRECTLY NOR USED FOR ANY PURPOSE OTHER THAN THAT FOR WHICH IT IS SPECIFICALLY FURNISHED.

TITLE: INTERFACE CONNECTOR TO WIRE MODULE Sub-D; 50 Pin; FEMALE; PN5749.2				
DRAWN BY: ROLAND GYORGYPAL	01/18/2013	DRAWING NO.: M-CAD-71-SUBD50F		REV.: -
CHECKED BY: LASZLO G	01/18/2013	SCALE: -		SHEET: 1 OF: 1
RELEASED BY: LASZLO G	01/18/2013			