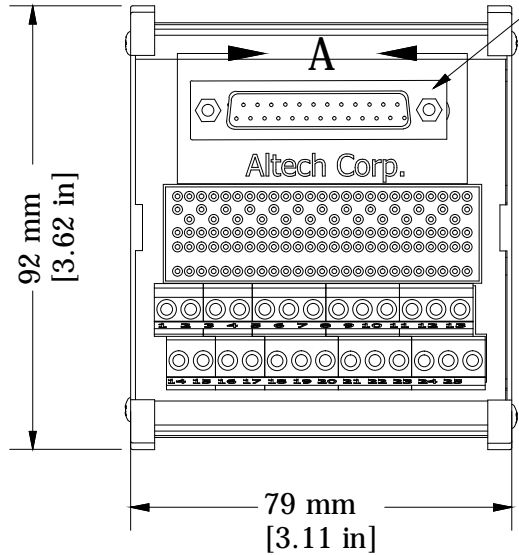
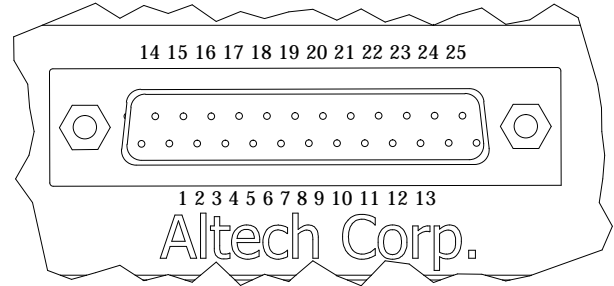


| REVISIONS FOR DWG # 71-SubD 25F |        |                 |          |            |
|---------------------------------|--------|-----------------|----------|------------|
| REV                             | CH.NO. | DESCRIPTION     | DATE     | REVISED BY |
| -                               | -      | ORIGINAL DESIGN | 01/18/13 | ROLAND G   |

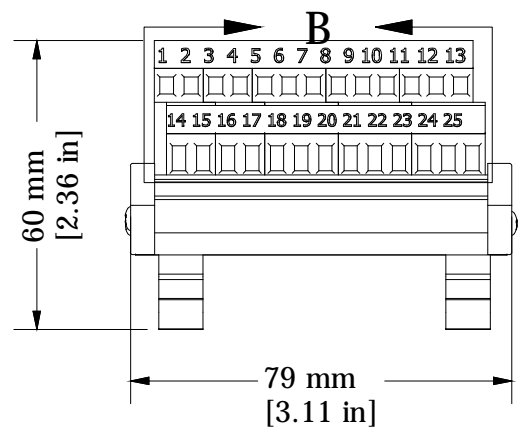
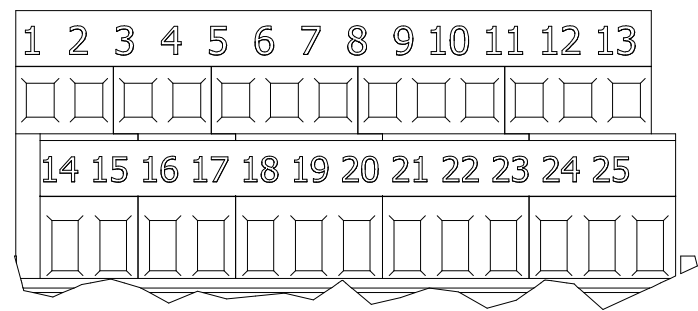
SD 25 Pin FEMALE CONNECTOR



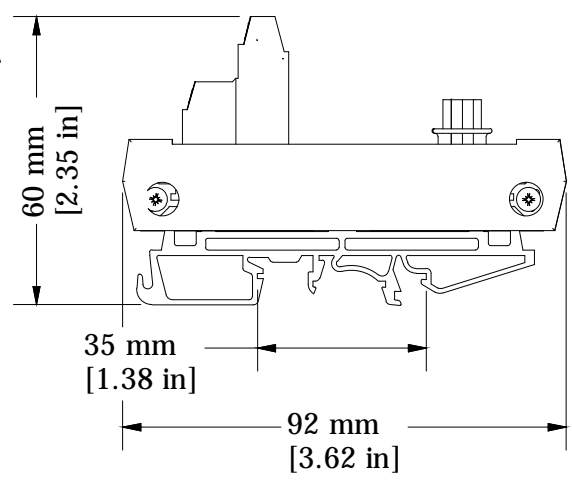
DETAIL A



DETAIL B



Interactive 3D Model



UNLESS OTHERWISE SPECIFIED

- ALL DIMENSIONS ARE IN MILLIMETERS
- THIRD ANGLE PROJECTION

| • TOLERANCE |         |
|-------------|---------|
| XX          | 1.00 mm |
| XX.X        | 0.50 mm |
| XX.XX       | 0.20 mm |
| ALL         | XX mm   |

This Drawing is the property of

**Altech Corp.**

35 Royal Road  
Flemington NJ 08822-6000  
(908) 806-9400 • Fax (908) 806-9490

AND IS A CONFIDENTIAL DISCLOSURE LENT WITHOUT CONSIDERATION OTHER THAN THE BORROWER'S AGREEMENT THAT IT SHALL NOT BE REPRODUCED, COPIED, LENT, OR DISPOSED OF DIRECTLY OR INDIRECTLY NOR USED FOR ANY PURPOSE OTHER THAN THAT FOR WHICH IT IS SPECIFICALLY FURNISHED.

|   |            |                  |                |
|---|------------|------------------|----------------|
| TITLE: INTERFACE CONNECTOR TO WIRE MODULE<br>Sub-D; 25 Pin; FEMALE; PN:5747.2 |            |                  |                |
| DRAWN BY:<br>ROLAND GYORGYPAL   | 01/18/2013 | DRAWING NO.:     | REV.:          |
| CHECKED BY:<br>LASZLO G   | 01/18/2013 | M-CAD-71-SubD25M | -              |
| RELEASED BY:<br>LASZLO G  | 01/18/2013 | SCALE: -         | SHEET: 1 OF: 1 |