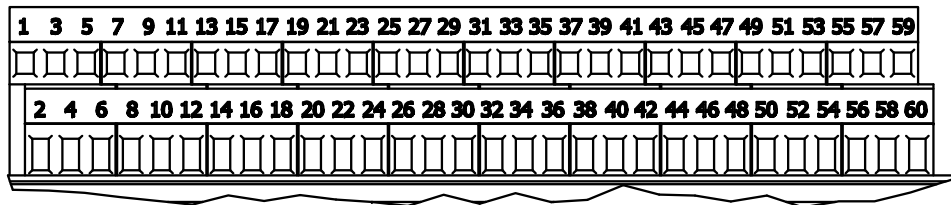
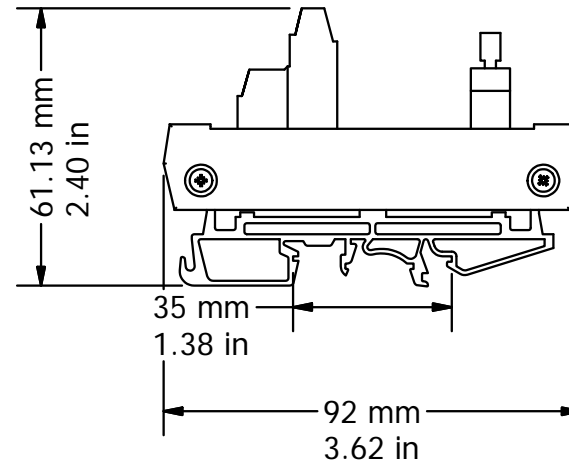


DETAIL A



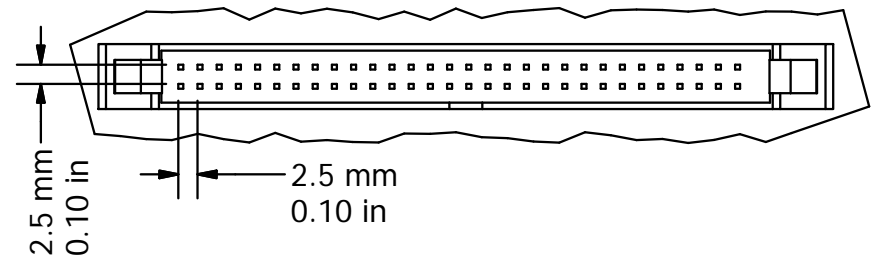
REVISIONS FOR DWG # 71-FBK60

REV	CH.NO.	DESCRIPTION	DATE	REVISED BY
-	-	ORIGINAL DESIGN	05/30/13	ROLAND G



Intractable 3D Model

DETAIL B



UNLESS OTHERWISE SPECIFIED  
 • ALL DIMENSIONS ARE IN MILLIMETERS  
 • THIRD ANGLE PROJECTION

This Drawing is the property of

**Altech Corp.**

35 Royal Road  
 Flemington NJ 08822-6000  
 (908) 806-9400 • Fax (908) 806-9490

AND IS A CONFIDENTIAL DISCLOSURE  
 LENT WITHOUT CONSIDERATION OTHER  
 THAN THE BORROWER'S AGREEMENT  
 THAT IT SHALL NOT BE REPRODUCED,  
 COPIED, LENT, OR DISPOSED OF  
 DIRECTLY OR INDIRECTLY NOR USED  
 FOR ANY PURPOSE OTHER THAN THAT  
 FOR WHICH IT IS SPECIFICALLY  
 FURNISHED.

TITLE: INTERFACE CONNECTOR TO WIRE MODULE  
 RIBBON CABLE; 60 Pin; PN:5728.2

DRAWN BY: ROLAND GYORGYAL	05/30/2013
CHECKED BY: LASZLO G	05/30/2013
RELEASED BY: LASZLO G	05/30/2013

DRAWING NO.:	REV.:
M-CAD-71-FBK60	-
SCALE: -	SHEET: 1 OF: 1

MTRIC