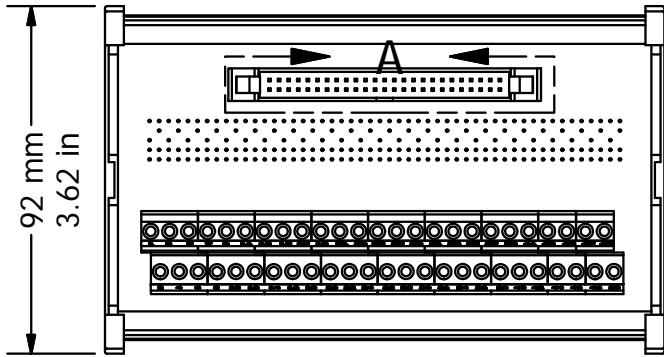
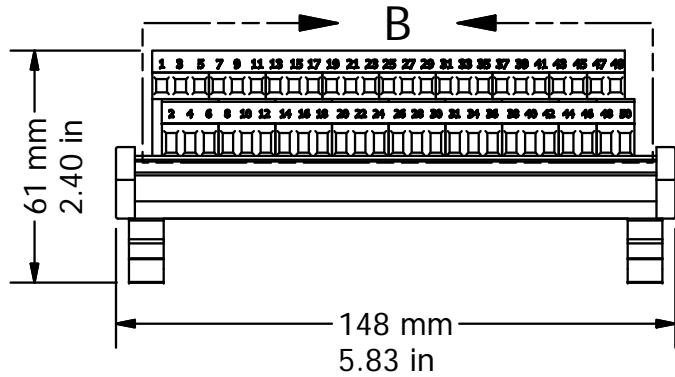
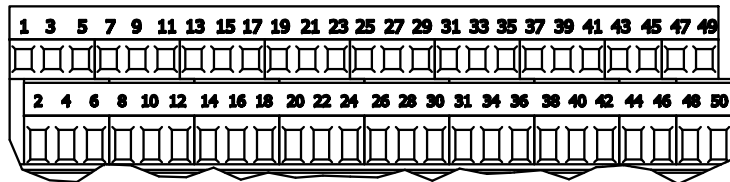


REVISIONS FOR DWG # 71-FBK50

REV	CH.NO.	DESCRIPTION	DATE	REVISED BY
-	-	ORIGINAL DESIGN	06/07/13	ROLAND G

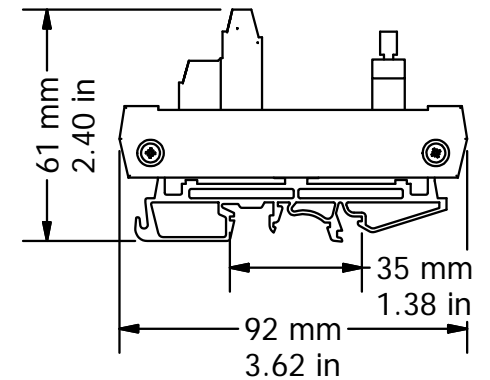
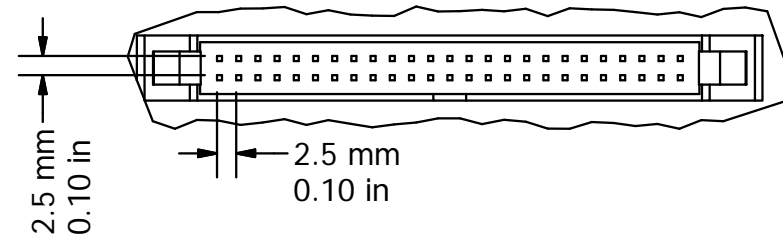


DETAIL B



DETAIL A

Interactable 3D Model



UNLESS OTHERWISE SPECIFIED  
 • ALL DIMENSIONS ARE IN MILLIMETERS  
 • THIRD ANGLE PROJECTION

This Drawing is the property of

**Altech Corp.**

35 Royal Road  
 Flemington NJ 08822-6000  
 (908) 806-9400 • Fax (908) 806-9490

AND IS A CONFIDENTIAL DISCLOSURE  
 LENT WITHOUT CONSIDERATION OTHER  
 THAN THE BORROWER'S AGREEMENT  
 THAT IT SHALL NOT BE REPRODUCED,  
 COPIED, LENT, OR DISPOSED OF  
 DIRECTLY OR INDIRECTLY NOR USED  
 FOR ANY PURPOSE OTHER THAN THAT  
 FOR WHICH IT IS SPECIFICALLY  
 FURNISHED.

TITLE: INTERFACE CONNECTOR TO WIRE MODULE  
 RIBBON CABLE; 50 Pin; PN:5727.2

DRAWN BY: ROLAND GYORGYPAL	06/07/2013	DRAWING NO.:	M-CAD-71-FBK50	REV.:	-
CHECKED BY: LASZLO G	06/07/2013	SCALE:	-	SHEET:	1 OF 1
RELEASED BY: LASZLO G	06/07/2013				

TOLERANCE	SYMBOL	VALUE
XX	⊕	1.00 mm
XX.X	⊕	0.50 mm
XX.XX	⊕	0.20 mm
ALL	⊕	XX mm

MTC