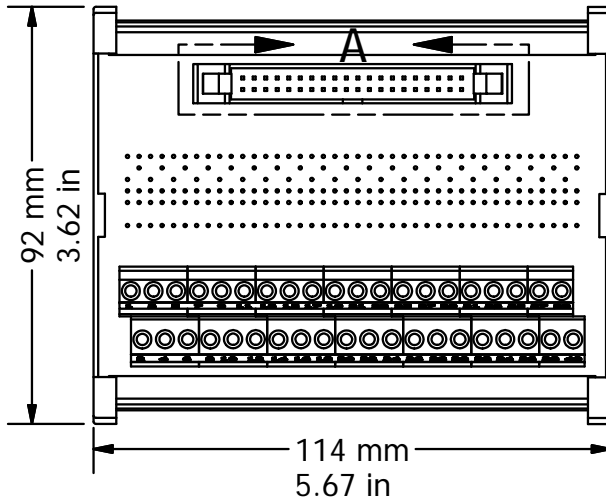
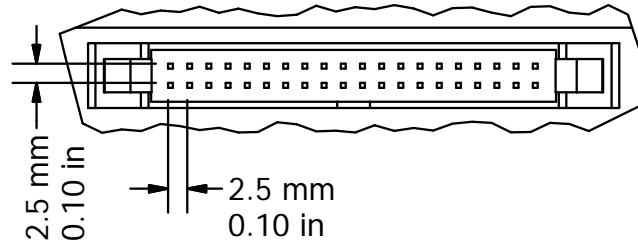


REVISIONS FOR DWG # 71-FBK40

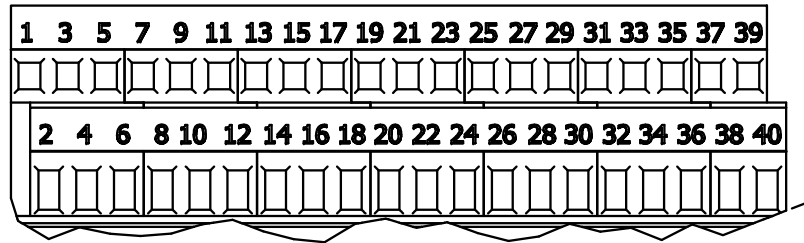
REV	CH.NO.	DESCRIPTION	DATE	REVISED BY
-	-	ORIGINAL DESIGN	05/30/13	ROLAND G



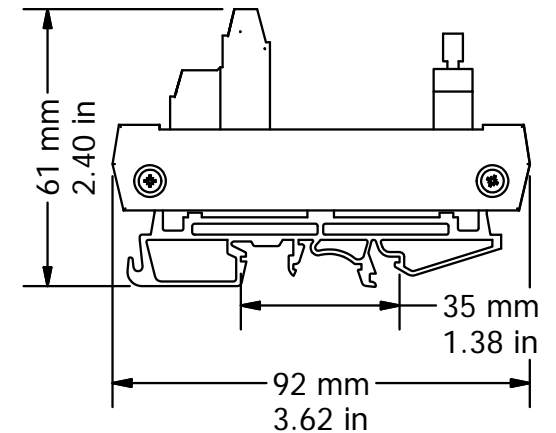
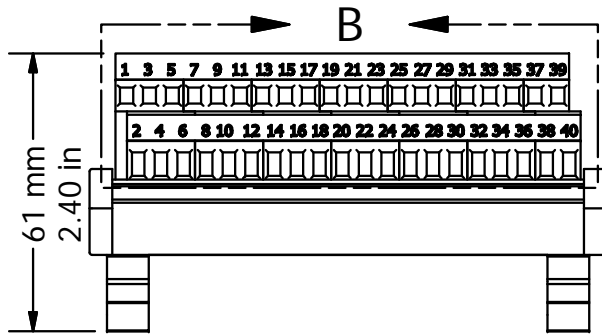
DETAIL A



DETAIL B



Interactable 3D Model



UNLESS OTHERWISE SPECIFIED  
 • ALL DIMENSIONS ARE IN MILLIMETERS  
 • THIRD ANGLE PROJECTION

This Drawing is the property of

**Altech Corp.**

35 Royal Road  
 Flemington NJ 08822-6000  
 (908) 806-9400 • Fax (908) 806-9490

AND IS A CONFIDENTIAL DISCLOSURE LENT WITHOUT CONSIDERATION OTHER THAN THE BORROWER'S AGREEMENT THAT IT SHALL NOT BE REPRODUCED, COPIED, LENT, OR DISPOSED OF DIRECTLY OR INDIRECTLY NOR USED FOR ANY PURPOSE OTHER THAN THAT FOR WHICH IT IS SPECIFICALLY FURNISHED.

TITLE: INTERFACE CONNECTOR TO WIRE MODULE  
 RIBBON CABLE; 40 Pin; PN:5726.2

DRAWN BY: ROLAND GYORGYPAL	05/30/2013	DRAWING NO.:	M-CAD-71-FBK40	REV.:	-
CHECKED BY: LASZLO G	05/30/2013	SCALE:	-	SHEET:	1 OF: 1
RELEASED BY: LASZLO G	05/30/2013				

MTC