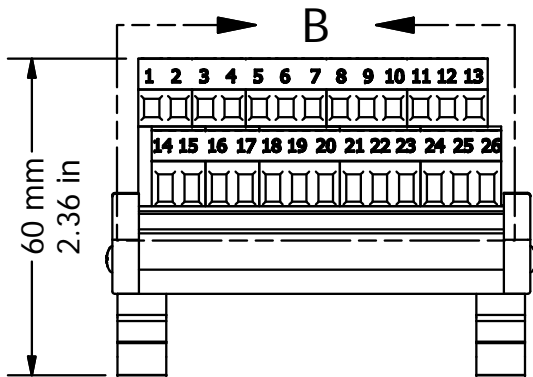
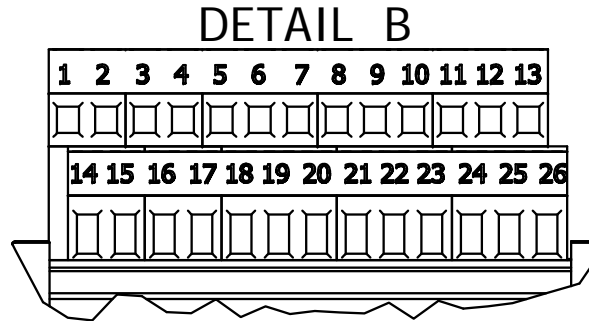
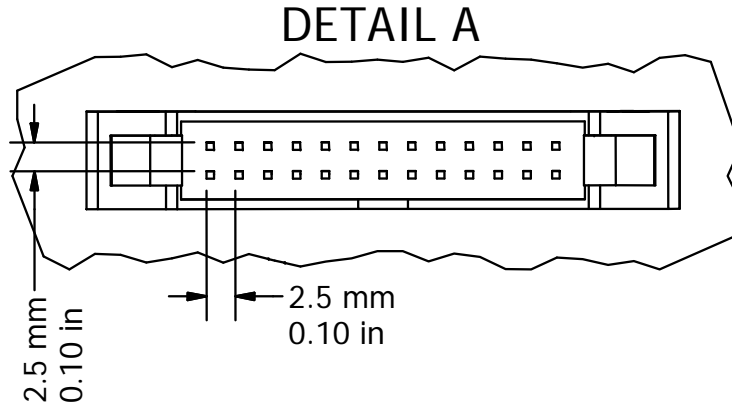
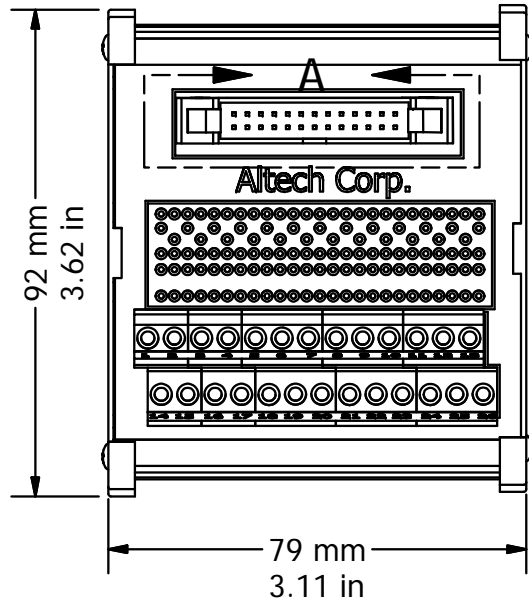
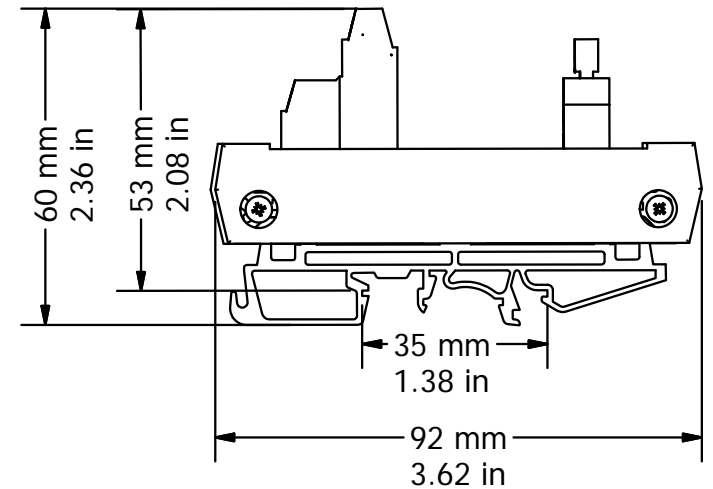


REVISIONS FOR DWG # 71-FBK26

REV	CH.NO.	DESCRIPTION	DATE	REVISED BY
-	-	ORIGINAL DESIGN	05/30/13	ROLAND G



Interactable 3D Model



UNLESS OTHERWISE SPECIFIED

- ALL DIMENSIONS ARE IN MILLIMETERS
- THIRD ANGLE PROJECTION



• TOLERANCE

XX	mm	1.00
XX.X	mm	0.50
XX.XX	mm	0.20
ALL	mm	XX

METRIC

This Drawing is the property of

Altech Corp.

35 Royal Road
Flemington NJ 08822-6000
(908) 806-9400 Fax (908) 806-9490

AND IS A CONFIDENTIAL DISCLOSURE LENT WITHOUT CONSIDERATION OTHER THAN THE BORROWER'S AGREEMENT THAT IT SHALL NOT BE REPRODUCED, COPIED, LENT, OR DISPOSED OF DIRECTLY OR INDIRECTLY NOR USED FOR ANY PURPOSE OTHER THAN THAT FOR WHICH IT IS SPECIFICALLY FURNISHED.

TITLE: INTERFACE CONNECTOR TO WIRE MODULE
RIBBON CABLE; 26 Pin; PN:5724.2

DRAWN BY: ROLAND GYORGPAL	05/30/2013
CHECKED BY: LASZLO G	05/30/2013
RELEASED BY: LASZLO G	05/30/2013

DRAWING NO.:
M-CAD-71-FBK26

REV.:
-

SCALE: - SHEET: 1 OF: 1