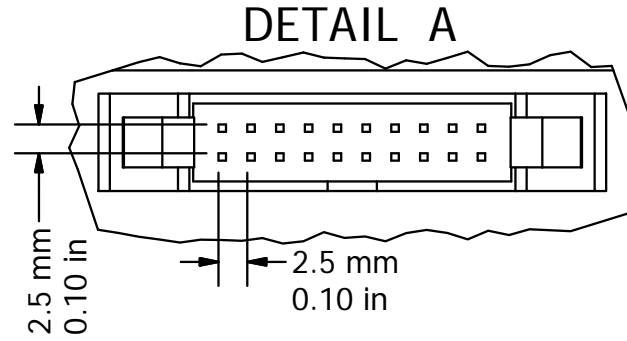
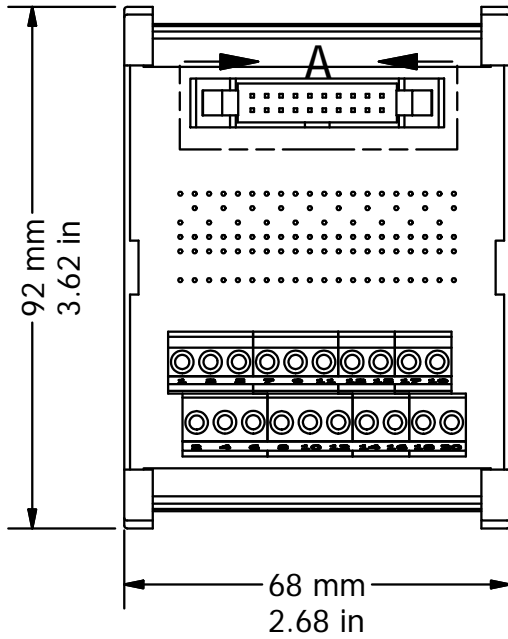
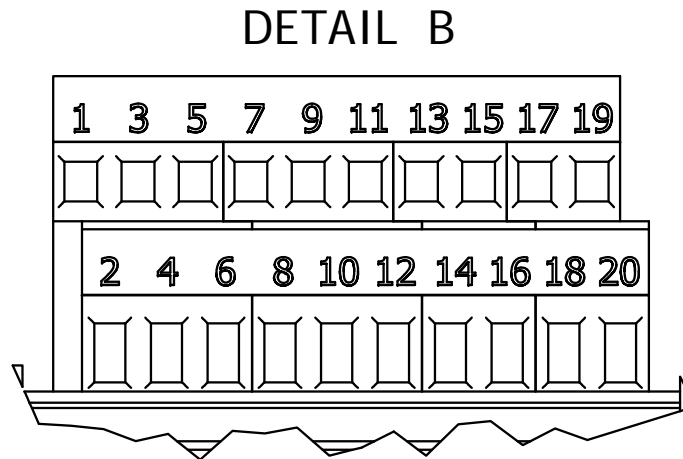
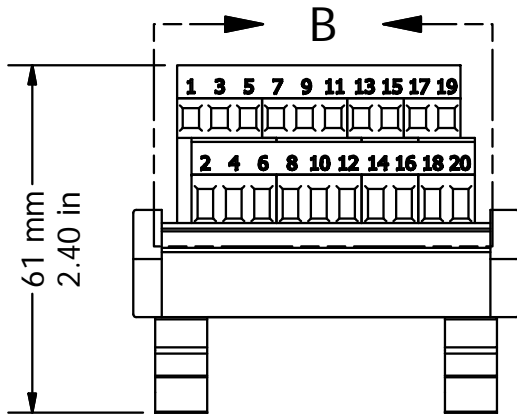
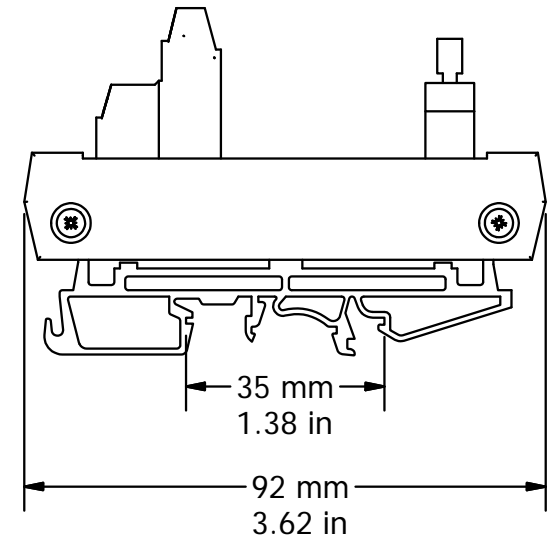


REVISIONS FOR DWG # 71-FBK20

REV	CH.NO.	DESCRIPTION	DATE	REVISED BY
-	-	ORIGINAL DESIGN	05/30/13	ROLAND G



Interactable 3D Model



UNLESS OTHERWISE SPECIFIED

- ALL DIMENSIONS ARE IN MILLIMETERS
- THIRD ANGLE PROJECTION

TOLERANCE	Symbol	Value
XX	±	1.00 mm
XX.X	±	0.50 mm
XX.XX	±	0.20 mm
ALL	±	XX mm

This Drawing is the property of
Altech Corp.
 35 Royal Road
 Flemington NJ 08822-6000
 (908) 806-9400 • Fax (908) 806-9490

AND IS A CONFIDENTIAL DISCLOSURE LENT WITHOUT CONSIDERATION OTHER THAN THE BORROWER'S AGREEMENT THAT IT SHALL NOT BE REPRODUCED, COPIED, LENT, OR DISPOSED OF DIRECTLY OR INDIRECTLY NOR USED FOR ANY PURPOSE OTHER THAN THAT FOR WHICH IT IS SPECIFICALLY FURNISHED.

TITLE: INTERFACE CONNECTOR TO WIRE MODULE RIBBON CABLE; 20 Pin; PN:5723.2			
DRAWN BY: ROLAND GYORGYPAL	05/30/2013	DRAWING NO.:	REV.:
CHECKED BY: LASZLO G	05/30/2013	M-CAD-71-FBK20	-
RELEASED BY: LASZLO G	05/30/2013	SCALE: -	SHEET: 1 OF: 1