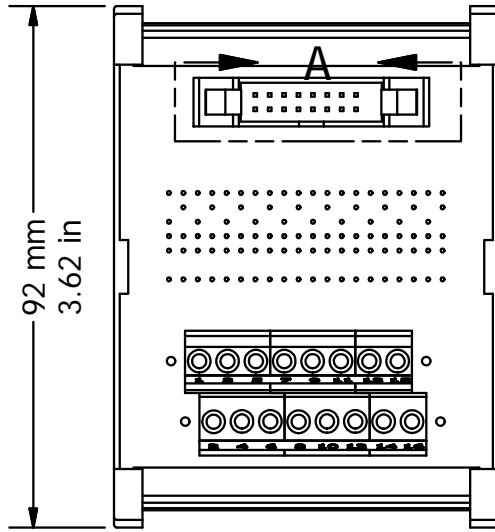
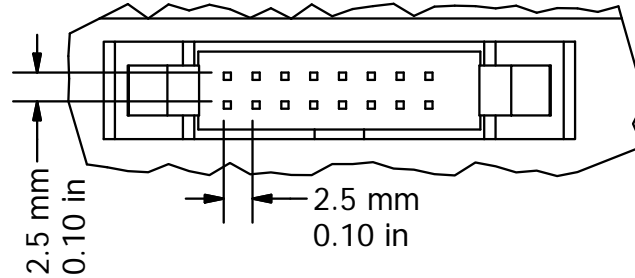


REVISIONS FOR DWG # 71-FBK16

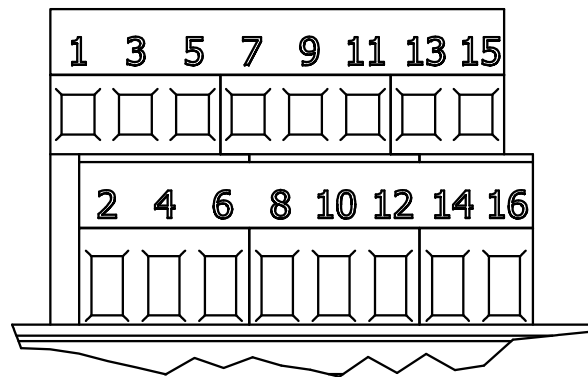
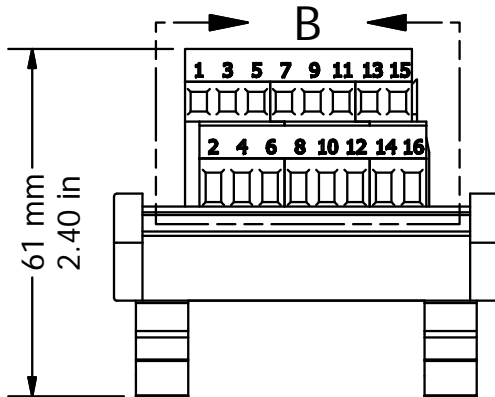
REV	CH.NO.	DESCRIPTION	DATE	REVISED BY
-	-	ORIGINAL DESIGN	05/30/13	ROLAND G



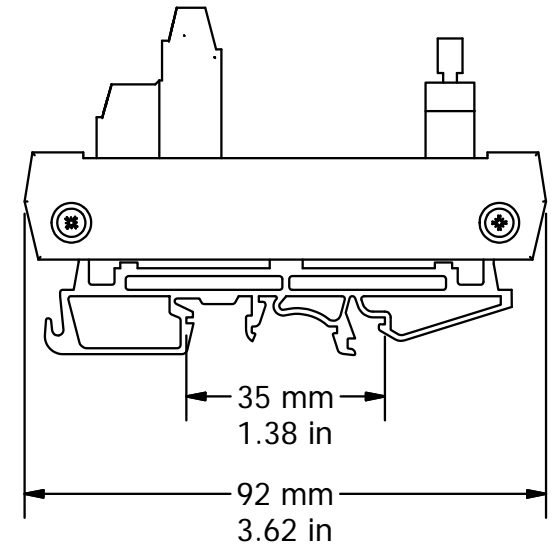
DETAIL A



DETAIL B



Interactable 3D Model



UNLESS OTHERWISE SPECIFIED
 • ALL DIMENSIONS ARE IN MILLIMETERS
 • THIRD ANGLE PROJECTION

This Drawing is the property of

Altech Corp.

35 Royal Road
 Flemington NJ 08822-6000
 (908) 806-9400 • Fax (908) 806-9490

AND IS A CONFIDENTIAL DISCLOSURE
 LENT WITHOUT CONSIDERATION OTHER
 THAN THE BORROWER'S AGREEMENT
 THAT IT SHALL NOT BE REPRODUCED,
 COPIED, LENT, OR DISPOSED OF
 DIRECTLY OR INDIRECTLY NOR USED
 FOR ANY PURPOSE OTHER THAN THAT
 FOR WHICH IT IS SPECIFICALLY
 FURNISHED.

TITLE: INTERFACE CONNECTOR TO WIRE MODULE
 RIBBON CABLE; 16 Pin; PN:5722.2

DRAWN BY:
 ROLAND GYORGYPAL 05/30/2013
 CHECKED BY:
 LASZLO G 05/30/2013
 RELEASED BY:
 LASZLO G 05/30/2013

DRAWING NO.:
 M-CAD-71-FBK16
 SCALE: -
 SHEET: 1 OF: 1

REV.:
 -

MTC