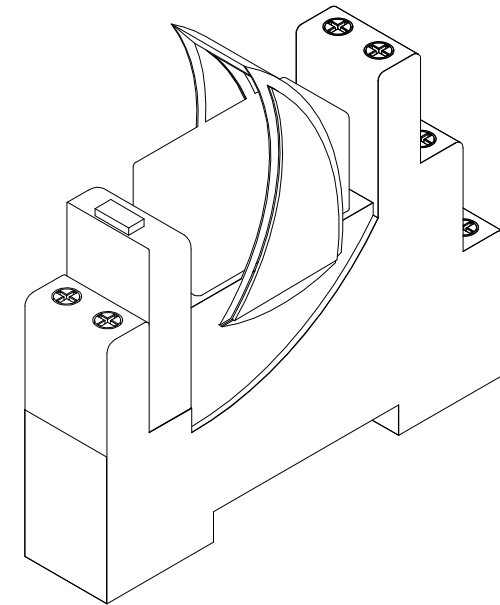
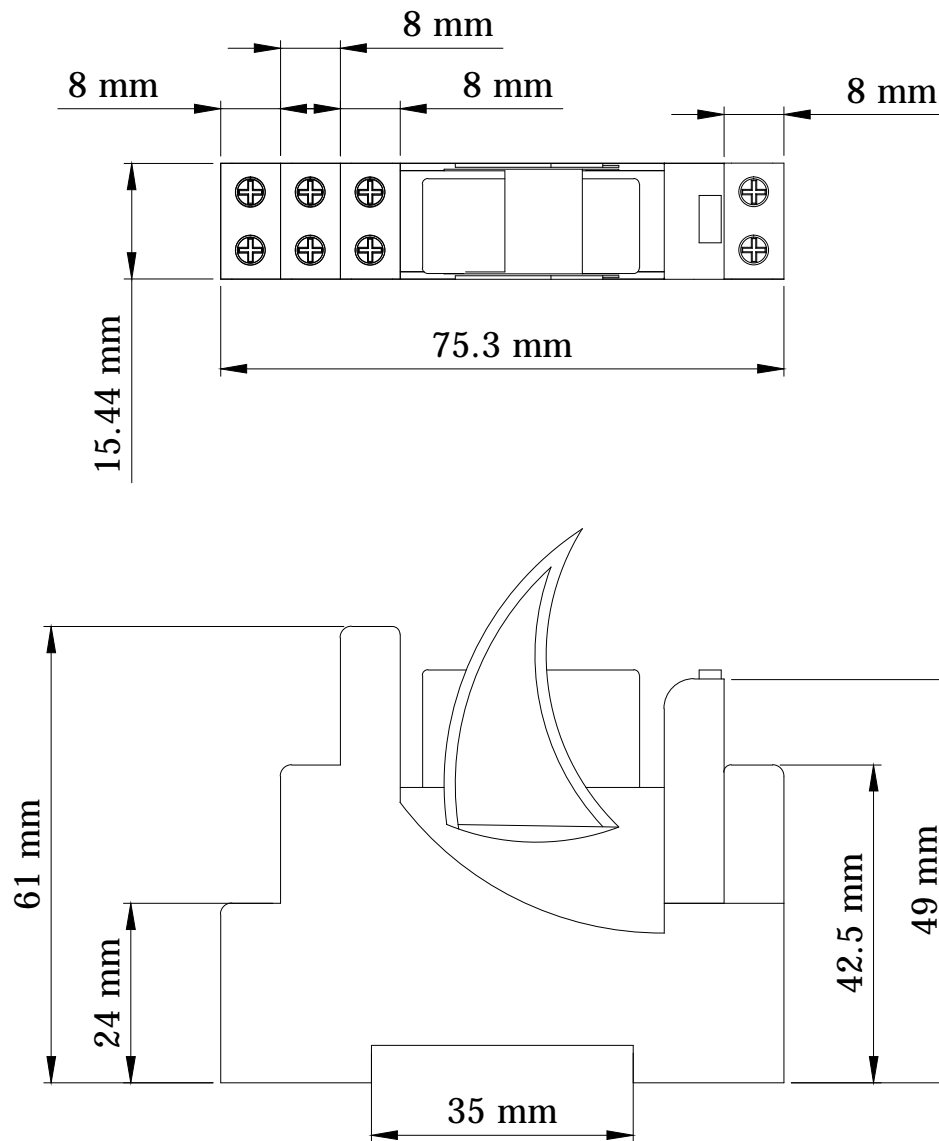


REVISIONS FOR DWG # 71-PI85_GZT80

REV	CH.NO.	DESCRIPTION	DATE	REVISED BY
-	-	ORIGINAL DESIGN	07/22/15	ARON G



Interactive 3D Model

UNLESS OTHERWISE SPECIFIED
 • ALL DIMENSIONS ARE IN MILLIMETERS
 • THIRD ANGLE PROJECTION

• TOLERANCE	
XX	1.00 mm
XX.X	0.50 mm
XX.XX	0.20 mm
ALL	XX mm

O-R-H-I-M-K

This Drawing is the property of
Altrech Corp.
 35 Royal Road
 Flemington NJ 08822-6000
 (908) 806-9400 • Fax (908) 806-9490

AND IS A CONFIDENTIAL DISCLOSURE
 LENT WITHOUT CONSIDERATION OTHER
 THAN THE BORROWER'S AGREEMENT
 THAT IT SHALL NOT BE REPRODUCED,
 COPIED, LENT, OR DISPOSED OF
 DIRECTLY OR INDIRECTLY NOR USED
 FOR ANY PURPOSE OTHER THAN THAT
 FOR WHICH IT IS SPECIFICALLY
 FURNISHED.

TITLE: Relay Socket Combination
 PI85_GZT80 [Type]

DRAWN BY: Aron Gyorgypal	07/22/15	DRAWING NO.:	M-Cad-71-PI85_GZT80	REV.:	-
CHECKED BY: Laszlo G	07/22/15	SCALE:	-	SHEET:	1 OF: 1
RELEASED BY: Laszlo G	07/22/15				