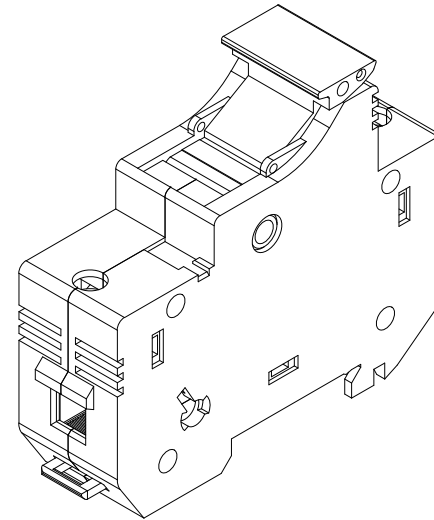
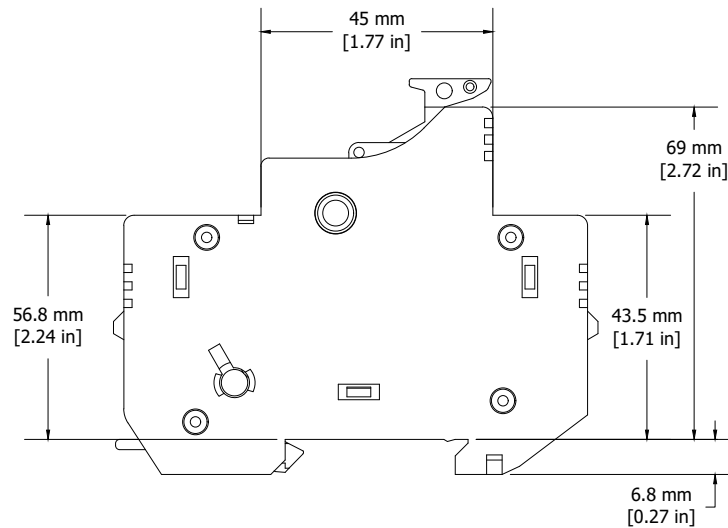
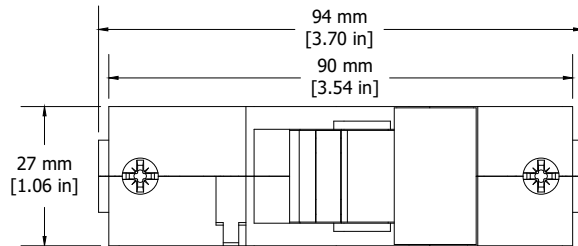


REVISIONS FOR DWG # 0025602XX

| REV | CH.NO. | DESCRIPTION | DATE | REVISED BY |
|-----|--------|-----------------|----------|------------|
| - | - | ORIGINAL DESIGN | 05/25/17 | ARON G |



| Pole Configuration | Without Indication | With LED Indication | Fuse Size | UL Rating SCR | UL Rating Voltage/Amp. |
|--------------------------------------|--------------------|---------------------|-----------|------------------|---------------------------|
| EFH 14 DC & EFH 14 DC LED | | | | | |
| 1-pole | 002560201 | 002560211 | 14x51 | 1000V DC / 50A | 1000V DC / 50A |
| 2-pole | 002560203 | 002560213 | 14x51 | 1000V DC / 50A | 1000V DC / 50A |

UNLESS OTHERWISE SPECIFIED
 • ALL DIMENSIONS ARE IN MILLIMETERS
 • THIRD ANGLE PROJECTION

• TOLERANCE

| | | |
|-------|---|---------|
| XX | ∅ | 1.00 mm |
| XX.X | ∅ | 0.50 mm |
| XX.XX | ∅ | 0.20 mm |
| ALL | ∅ | XX mm |

C-RTM

This Drawing is the property of

Altrech Corp.

35 Royal Road
 Flemington NJ 08822-6000
 (908) 806-9400 • Fax (908) 806-9490

AND IS A CONFIDENTIAL DISCLOSURE LENT WITHOUT CONSIDERATION OTHER THAN THE BORROWER'S AGREEMENT THAT IT SHALL NOT BE REPRODUCED, COPIED, LENT, OR DISPOSED OF DIRECTLY OR INDIRECTLY NOR USED FOR ANY PURPOSE OTHER THAN THAT FOR WHICH IT IS SPECIFICALLY FURNISHED.

TITLE: PV Type Fuse Holder
 EFH 14 DC & EFH 14 DC LED

| | | | |
|-----------------------------|----------|--------------------|----------------|
| DRAWN BY: Aron Gyorgypal | 05/25/17 | DRAWING NO.: | REV.: |
| CHECKED BY: Laszlo G | 05/25/17 | M-Cad-52-0025602XX | - |
| RELEASED BY: Laszlo G | 05/25/17 | SCALE: - | SHEET: 1 OF: 1 |