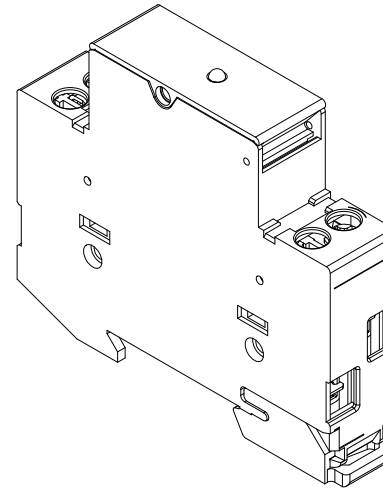
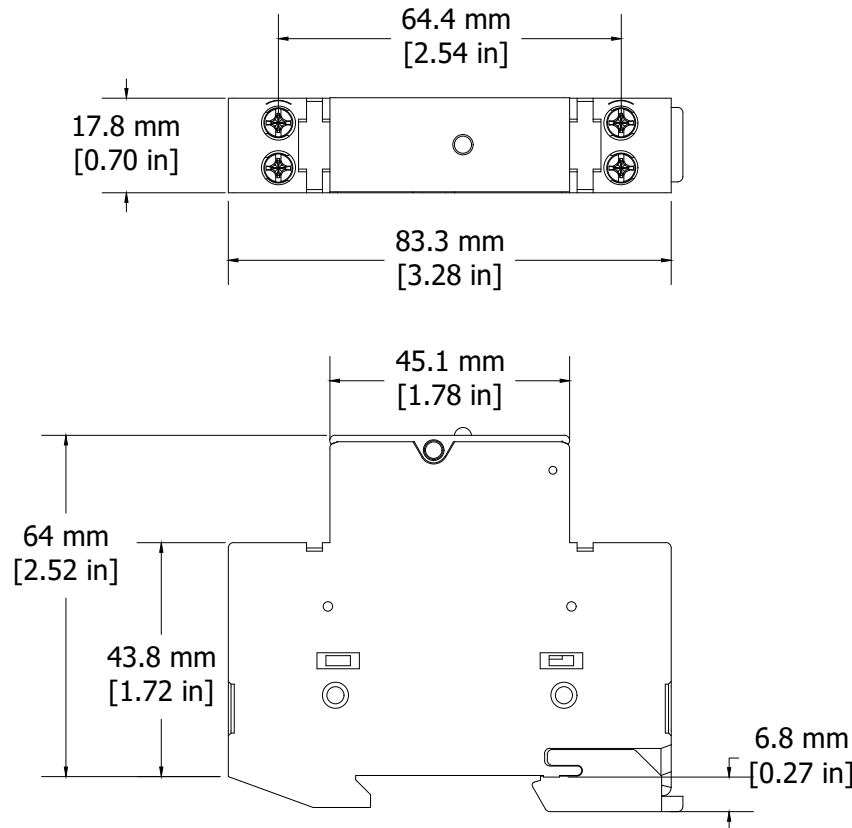


REVISIONS FOR DWG # 0025502XX

REV	CH.NO.	DESCRIPTION	DATE	REVISED BY
-	-	ORIGINAL DESIGN	05/26/17	ARON G



Pole Configuration	Without Indication	With LED Indication	Fuse Size	Max Voltage & Current IEC	UL
PCF 10 DC & PCF 10 DC LED					
1-pole	002550201	002550211	10x38	1000V DC / 25A	1000V DC / 25A
2-pole	002550203	002550213	10x38	1000V DC / 25A	1000V DC / 25A

UNLESS OTHERWISE SPECIFIED
 • ALL DIMENSIONS ARE IN MILLIMETERS
 • THIRD ANGLE PROJECTION

• TOLERANCE

XX	∅	1.00 mm
XX.X	∅	0.50 mm
XX.XX	∅	0.20 mm
ALL	∅	XX mm

CIRTEM

This Drawing is the property of

Altrech Corp.

35 Royal Road
 Flemington NJ 08822-6000
 (908) 806-9400 • Fax (908) 806-9490

AND IS A CONFIDENTIAL DISCLOSURE LENT WITHOUT CONSIDERATION OTHER THAN THE BORROWER'S AGREEMENT THAT IT SHALL NOT BE REPRODUCED, COPIED, LENT, OR DISPOSED OF DIRECTLY OR INDIRECTLY NOR USED FOR ANY PURPOSE OTHER THAN THAT FOR WHICH IT IS SPECIFICALLY FURNISHED.

TITLE: PV Type Fuse Holder
 PCF 10 DC & PCF 10 DC LED

DRAWN BY: Aron Gyorgypal	05/26/17	DRAWING NO.:	REV.:
CHECKED BY: Laszlo G	05/26/17	M-Cad-52-0025502XX	-
RELEASED BY: Laszlo G	05/26/17	SCALE: -	SHEET: 1 OF: 1