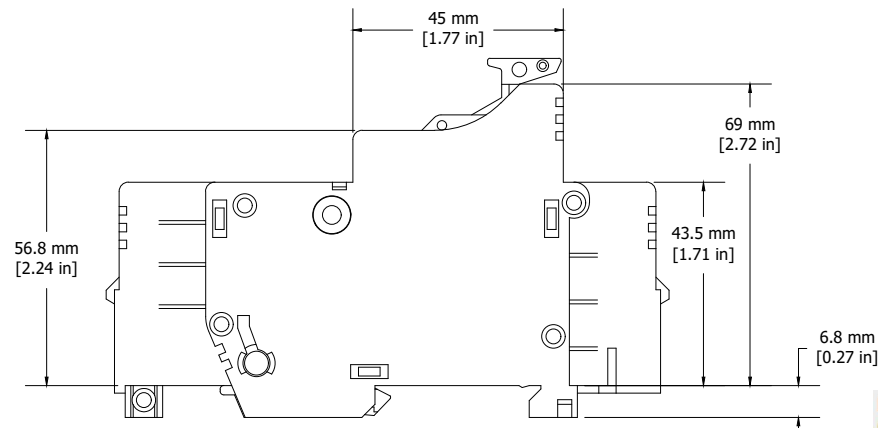
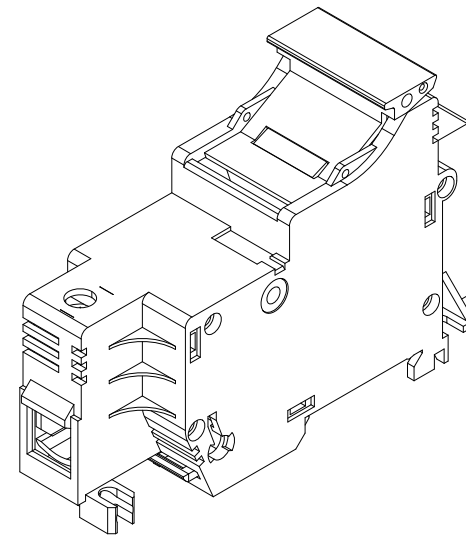
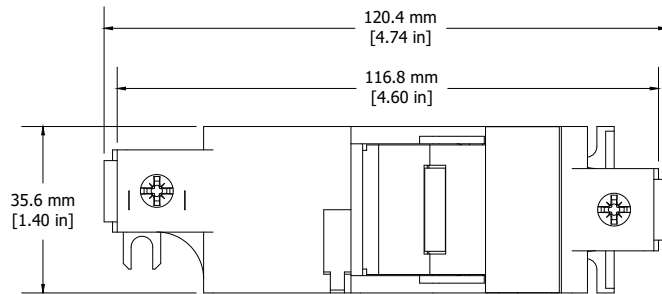


REVISIONS FOR DWG # 0025700XX

REV	CH.NO.	DESCRIPTION	DATE	REVISED BY
-	-	ORIGINAL DESIGN	05/25/17	ARON G



Pole Configuration	Without Indication	With LED Indication	Fuse Size	Max Voltage & Current IEC	UL
EFD 22 & EFD 22 LED					
1-pole	002570001	002570011	22x58	690V AC / 100A	600V AC/DC / 100A
1-pole+N	002570002	002570012	22x58	690V AC / 100A	600V AC/DC / 100A
2-pole	002570003	002570013	22x58	690V AC / 100A	600V AC/DC / 100A
3-pole	002570004	002570014	22x58	690V AC / 100A	600V AC/DC / 100A
3-pole+N	002570005	002570015	22x58	690V AC / 100A	600V AC/DC / 100A

UNLESS OTHERWISE SPECIFIED
 • ALL DIMENSIONS ARE IN MILLIMETERS
 • THIRD ANGLE PROJECTION

• TOLERANCE	
XX	± 1.00 mm
XX.X	± 0.50 mm
XX.XX	± 0.20 mm
ALL	± XX mm

C-RTM

This Drawing is the property of

Altrech Corp.

35 Royal Road
 Flemington NJ 08822-6000
 (908) 806-9400 • Fax (908) 806-9490

AND IS A CONFIDENTIAL DISCLOSURE LENT WITHOUT CONSIDERATION OTHER THAN THE BORROWER'S AGREEMENT THAT IT SHALL NOT BE REPRODUCED, COPIED, LENT, OR DISPOSED OF DIRECTLY OR INDIRECTLY NOR USED FOR ANY PURPOSE OTHER THAN THAT FOR WHICH IT IS SPECIFICALLY FURNISHED.

TITLE: IEC Type Fuse Holder
 EFD 22 & EFD 22 LED

DRAWN BY: Aron Gyorgypal	05/25/17	DRAWING NO.:	REV.:
CHECKED BY: Laszlo G	05/25/17	M-Cad-52-0025700XX	-
RELEASED BY: Laszlo G	05/25/17	SCALE: -	SHEET: 1 OF: 1