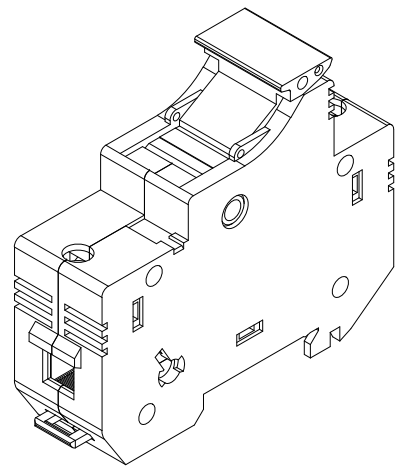
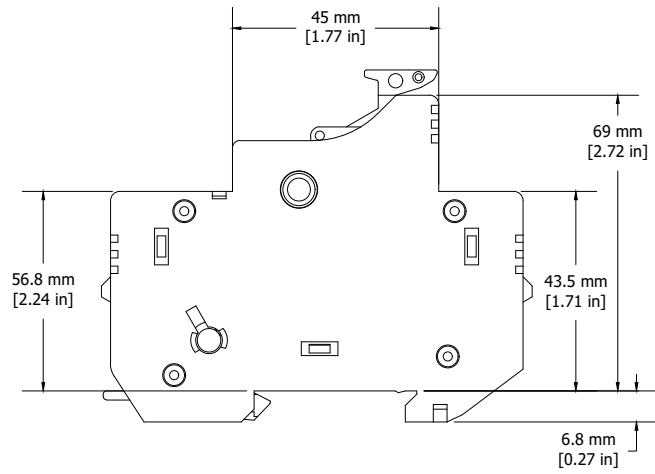
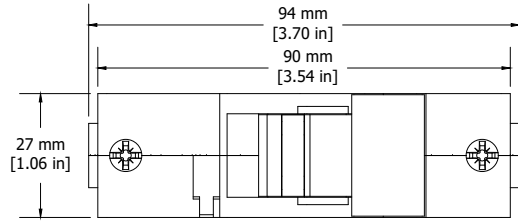


REVISIONS FOR DWG # 0025600XX

REV	CH.NO.	DESCRIPTION	DATE	REVISED BY
-	-	ORIGINAL DESIGN	05/25/17	ARON G



Pole Configuration	Without Indication	With LED Indication	Fuse Size	Max Voltage & Current IEC	UL
EFD 14 & EFD 14 LED					
1-pole	002560001	002560011	14x51	690V AC / 50A	600V AC/DC / 50A
1-pole+N	002560002	002560012	14x51	690V AC / 50A	600V AC/DC / 50A
2-pole	002560003	002560013	14x51	690V AC / 50A	600V AC/DC / 50A
3-pole	002560004	002560014	14x51	690V AC / 50A	600V AC/DC / 50A
3-pole+N	002560005	002560015	14x51	690V AC / 50A	600V AC/DC / 50A

UNLESS OTHERWISE SPECIFIED
 • ALL DIMENSIONS ARE IN MILLIMETERS
 • THIRD ANGLE PROJECTION

• TOLERANCE

XX	∅	1.00 mm
XX.X	∅	0.50 mm
XX.XX	∅	0.20 mm
ALL	∅	XX mm

C-RTM

This Drawing is the property of

35 Royal Road
 Flemington NJ 08822-6000
 (908) 806-9400 • Fax (908) 806-9490

AND IS A CONFIDENTIAL DISCLOSURE LENT WITHOUT CONSIDERATION OTHER THAN THE BORROWER'S AGREEMENT THAT IT SHALL NOT BE REPRODUCED, COPIED, LENT, OR DISPOSED OF DIRECTLY OR INDIRECTLY NOR USED FOR ANY PURPOSE OTHER THAN THAT FOR WHICH IT IS SPECIFICALLY FURNISHED.

TITLE: IEC Type Fuse Holder
 EFD 14 & EFD 14 LED

DRAWN BY: Aron Gyorgypal	05/25/17	DRAWING NO.:	M-Cad-52-0025600XX	REV.:	-
CHECKED BY: Laszlo G	05/25/17	SCALE:	-	SHEET:	1 OF: 1
RELEASED BY: Laszlo G	05/25/17				