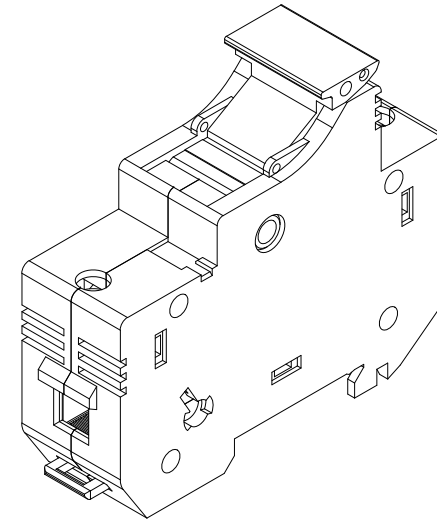
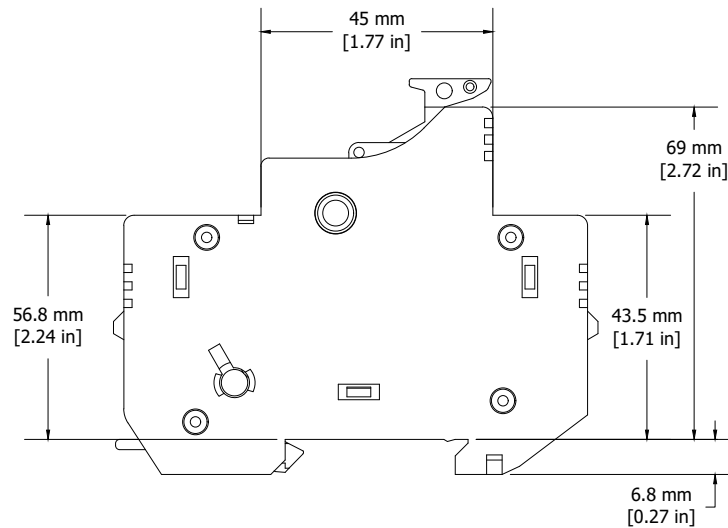
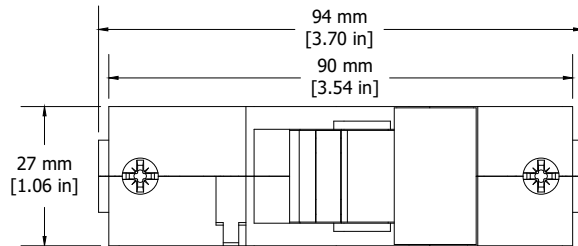


REVISIONS FOR DWG # 0025701XX

REV	CH.NO.	DESCRIPTION	DATE	REVISED BY
-	-	ORIGINAL DESIGN	05/25/17	ARON G



Pole Configuration	Without Indication	With LED Indication	Fuse Size	SCR	UL Rating Voltage/Amp.
EFD J30 DC & EFD J30 10 DC LED					
1-pole	002570101	002570111	J-TYPE	200 kA	600V AC/DC / 30A
2-pole	002570103	002570113	J-TYPE	200 kA	600V AC/DC / 30A
3-pole	002570104	002570114	J-TYPE	200 kA	600V AC/DC / 30A

UNLESS OTHERWISE SPECIFIED
 • ALL DIMENSIONS ARE IN MILLIMETERS
 • THIRD ANGLE PROJECTION

• TOLERANCE	
XX	± 1.00 mm
XX.X	± 0.50 mm
XX.XX	± 0.20 mm
ALL	± XX mm

C-RTM

This Drawing is the property of

Altrech Corp.

35 Royal Road
 Flemington NJ 08822-6000
 (908) 806-9400 • Fax (908) 806-9490

AND IS A CONFIDENTIAL DISCLOSURE LENT WITHOUT CONSIDERATION OTHER THAN THE BORROWER'S AGREEMENT THAT IT SHALL NOT BE REPRODUCED, COPIED, LENT, OR DISPOSED OF DIRECTLY OR INDIRECTLY NOR USED FOR ANY PURPOSE OTHER THAN THAT FOR WHICH IT IS SPECIFICALLY FURNISHED.

TITLE: CC Type and J Type Fuse Holder
 EFD J30 & EFD J30 LED

DRAWN BY: Aron Gyorgypal	05/25/17	DRAWING NO.: M-Cad-52-0025701XX	REV.:
CHECKED BY: Laszlo G	05/25/17		-
RELEASED BY: Laszlo G	05/25/17	SCALE: -	SHEET: 1 OF: 1