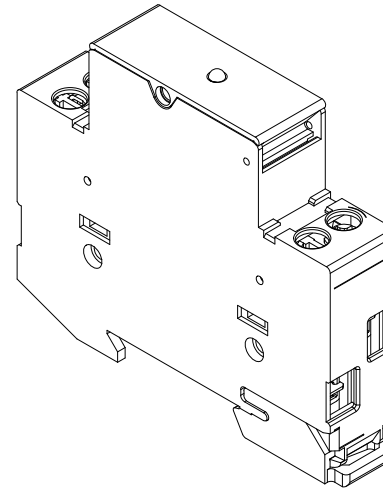
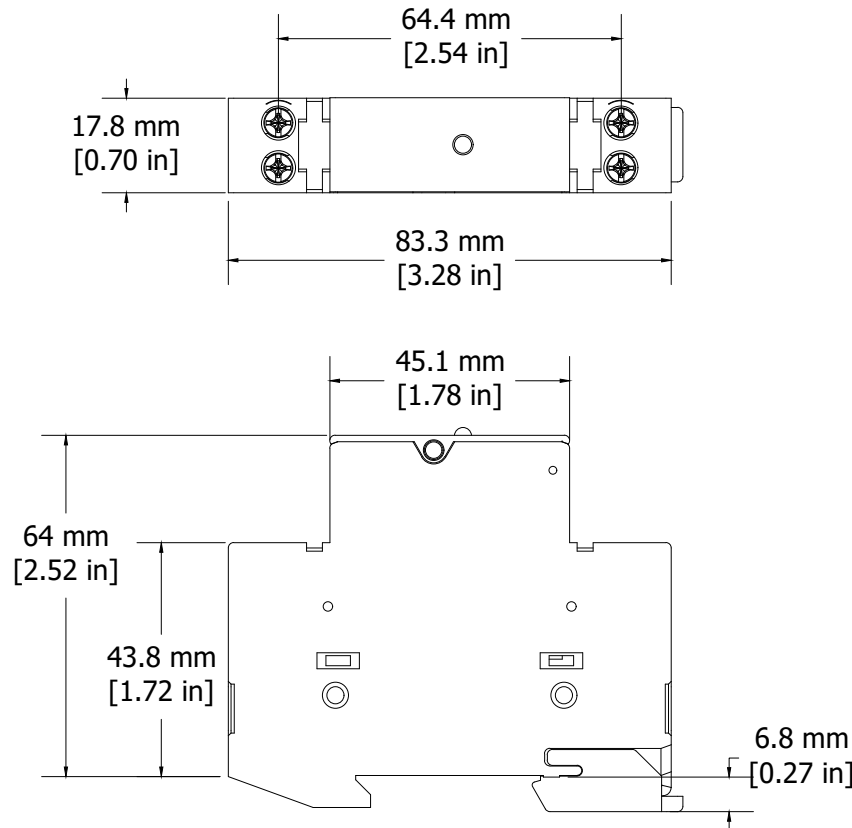


REVISIONS FOR DWG # 0025501XX

REV	CH.NO.	DESCRIPTION	DATE	REVISED BY
-	-	ORIGINAL DESIGN	05/26/17	ARON G



Pole Configuration	Without Indication	With LED Indication	Fuse Size	SCR	UL Rating Voltage/Amp.
<b>PCF CC &amp; PCF CC LED</b>					
1-pole	002550101	002550111	CC Type	200 kA	600V AC/DC / 30A
2-pole	002550103	002550113	CC Type	200 kA	600V AC/DC / 30A
3-pole	002550104	002550114	CC Type	200 kA	600V AC/DC / 30A

UNLESS OTHERWISE SPECIFIED  
 • ALL DIMENSIONS ARE IN MILLIMETERS  
 • THIRD ANGLE PROJECTION

• TOLERANCE

XX	∅	1.00 mm
XX.X	∅	0.50 mm
XX.XX	∅	0.20 mm
ALL	∅	XX mm

CIRTEC

This Drawing is the property of

**Altrech Corp.**

35 Royal Road  
 Flemington NJ 08822-6000  
 (908) 806-9400 • Fax (908) 806-9490

AND IS A CONFIDENTIAL DISCLOSURE LENT WITHOUT CONSIDERATION OTHER THAN THE BORROWER'S AGREEMENT THAT IT SHALL NOT BE REPRODUCED, COPIED, LENT, OR DISPOSED OF DIRECTLY OR INDIRECTLY NOR USED FOR ANY PURPOSE OTHER THAN THAT FOR WHICH IT IS SPECIFICALLY FURNISHED.

TITLE: CC Type and J Type Fuse Holder  
 PCF CC & PCF CC LED

DRAWN BY: Aron Gyorgypal	05/26/17	DRAWING NO.:	REV.:
CHECKED BY: Laszlo G	05/26/17	M-Cad-52-0025501XX	-
RELEASED BY: Laszlo G	05/26/17	SCALE: -	SHEET: 1 OF: 1