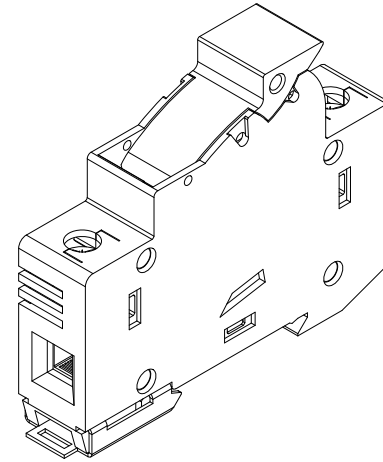
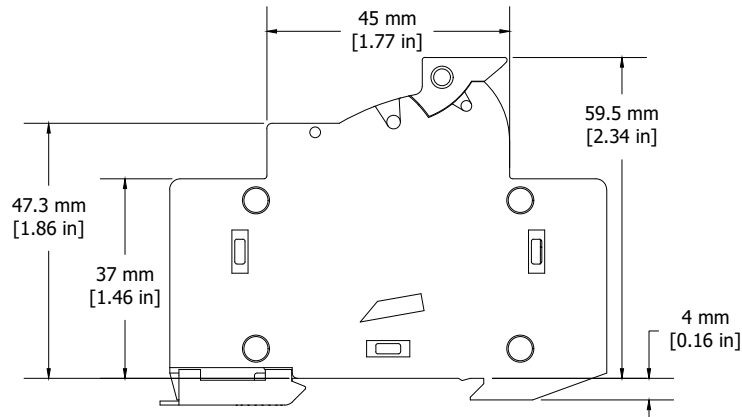
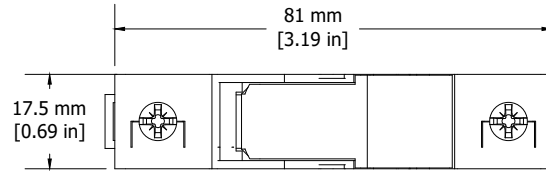


REVISIONS FOR DWG # 0025401XX

REV	CH.NO.	DESCRIPTION	DATE	REVISED BY
-	-	ORIGINAL DESIGN	05/25/17	ARON G



Pole Configuration	Without Indication	With LED Indication	Fuse Size	UL Rating SCR	UL Rating Voltage/Amp.
EFD CC & EFD CC LED					
1-pole	002540101	002540111	CC Type	200 kA	600V AC / 30A
2-pole	002540103	002540113	CC Type	200 kA	600V AC / 30A
3-pole	002540104	002540114	CC Type	200 kA	600V AC / 30A

UNLESS OTHERWISE SPECIFIED
 • ALL DIMENSIONS ARE IN MILLIMETERS
 • THIRD ANGLE PROJECTION

• TOLERANCE

XX	∅	1.00 mm
XX.X	∅	0.50 mm
XX.XX	∅	0.20 mm
ALL	∅	XX mm

CIRTIM

This Drawing is the property of

Altrech Corp.

35 Royal Road
 Flemington NJ 08822-6000
 (908) 806-9400 • Fax (908) 806-9490

AND IS A CONFIDENTIAL DISCLOSURE LENT WITHOUT CONSIDERATION OTHER THAN THE BORROWER'S AGREEMENT THAT IT SHALL NOT BE REPRODUCED, COPIED, LENT, OR DISPOSED OF DIRECTLY OR INDIRECTLY NOR USED FOR ANY PURPOSE OTHER THAN THAT FOR WHICH IT IS SPECIFICALLY FURNISHED.

TITLE: CC Type and J Type Fuse Holder
 EFD CC & EFD CC LED

DRAWN BY: Aron Gyorgypal	05/25/17	DRAWING NO.:	REV.:
CHECKED BY: Laszlo G	05/25/17	M-Cad-52-0025401XX	-
RELEASED BY: Laszlo G	05/25/17	SCALE: -	SHEET: 1 OF: 1