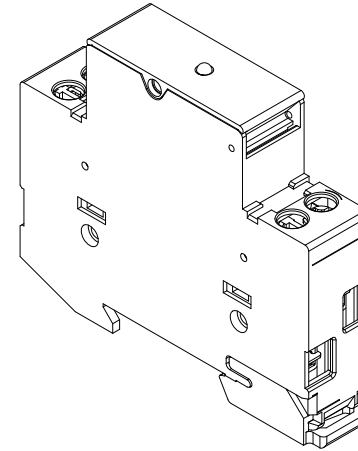
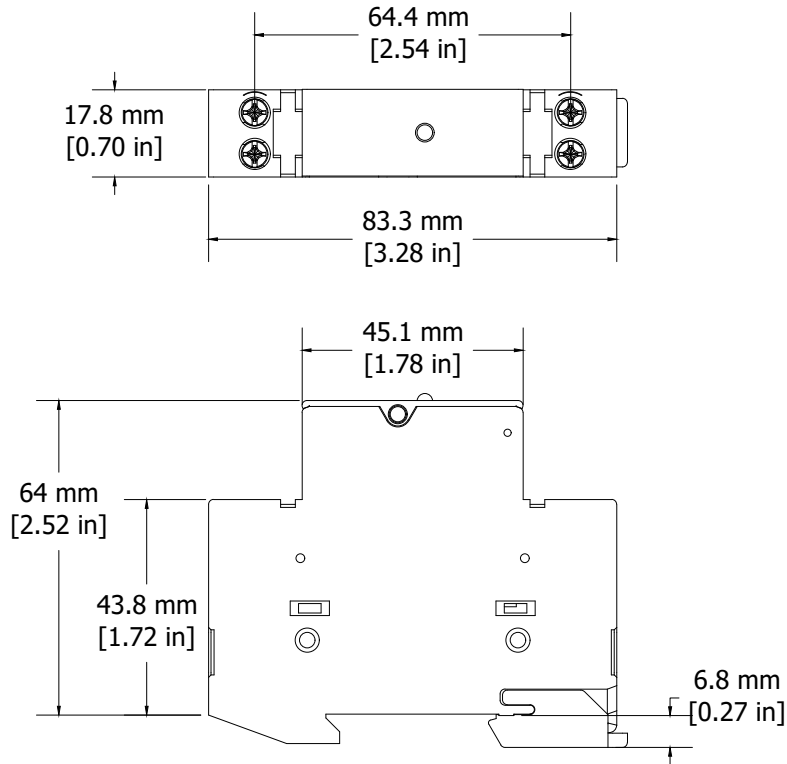


REVISIONS FOR DWG # 0025500XX

REV	CH.NO.	DESCRIPTION	DATE	REVISED BY
-	-	ORIGINAL DESIGN	05/25/17	ARON G



Pole Configuration	Without Indication	With LED Indication	Fuse Size	Max Voltage & Current IEC	UL
PCF 10 & PCF 10 LED					
1-pole	002550001	002550011	10x38	690V AC / 32A	600V AC/DC / 30A
1-pole+N	002550002	002550012	10x38	690V AC / 32A	600V AC/DC / 30A
2-pole	002550003	002550013	10x38	690V AC / 32A	600V AC/DC / 30A
3-pole	002550004	002550014	10x38	690V AC / 32A	600V AC/DC / 30A
3-pole+N	002550005	002550015	10x38	690V AC / 32A	600V AC/DC / 30A

UNLESS OTHERWISE SPECIFIED
 • ALL DIMENSIONS ARE IN MILLIMETERS
 • THIRD ANGLE PROJECTION

• TOLERANCE	
XX	± 1.00 mm
XX.X	± 0.50 mm
XX.XX	± 0.20 mm
ALL	± XX mm

CIRTIM

This Drawing is the property of

Altrech Corp.

35 Royal Road
 Flemington NJ 08822-6000
 (908) 806-9400 • Fax (908) 806-9490

AND IS A CONFIDENTIAL DISCLOSURE LENT WITHOUT CONSIDERATION OTHER THAN THE BORROWER'S AGREEMENT THAT IT SHALL NOT BE REPRODUCED, COPIED, LENT, OR DISPOSED OF DIRECTLY OR INDIRECTLY NOR USED FOR ANY PURPOSE OTHER THAN THAT FOR WHICH IT IS SPECIFICALLY FURNISHED.

TITLE: 10x38 Midget Fuse Holder
 PCF 10 & PCF 10 LED

DRAWN BY: Aron Gyorgypal	05/25/17	DRAWING NO.:	M-Cad-52-0025500XX	REV.:	-
CHECKED BY: Laszlo G	05/25/17	SCALE:	-	SHEET:	1 OF: 1
RELEASED BY: Laszlo G	05/25/17				