

REVISIONS FOR DWG # HE6HWPR/XX

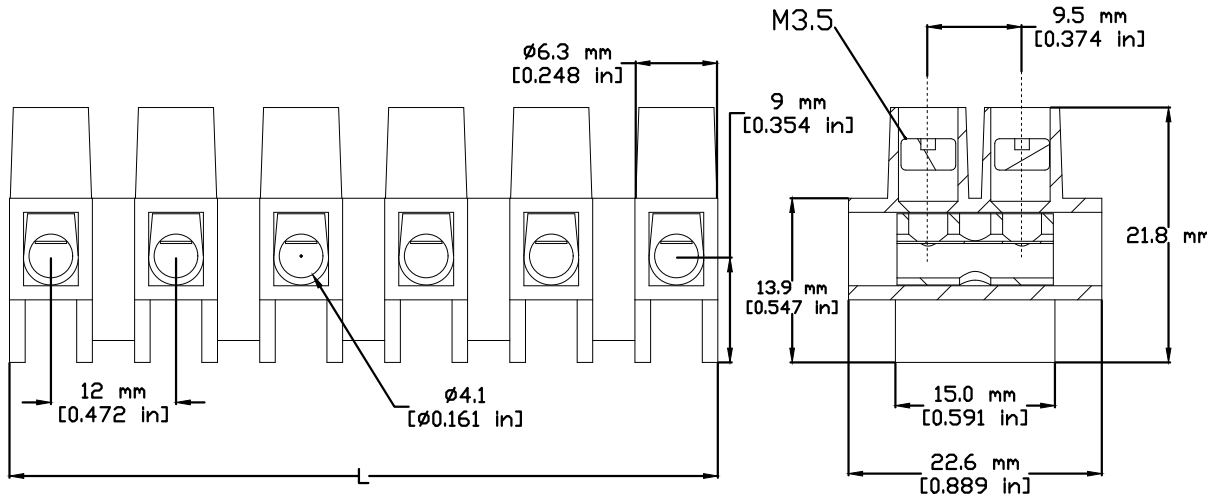
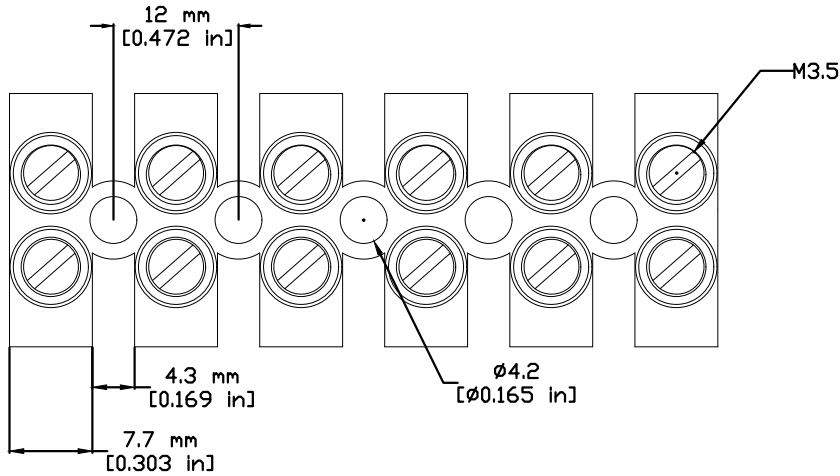
REV	CH.NO.	DESCRIPTION	DATE	REVISED BY
-	-	ORIGINAL DESIGN	08/17/16	ARON G

Technical Ratings

	UL	IEC
Current Rating	40A	16A
Voltage Rating	600V	500V
Wire Size	20-8AWG	4/6mm ²
Torque	7.0lb-in	0.55 Nm

Material

Housing: Polyamide 66/6
 Color: white
 Insert: Tinned Brass
 Screw: M3, bluechromated Steel
 Temperature Rating: -30°C - 125°C



Cat. No.	No. of Poles	L
HE6HWPR/02	2	19.8mm [0.78 in]
HE6HWPR/03	3	31.8mm [1.25 in]
HE6HWPR/04	4	43.8mm [1.72 in]
HE6HWPR/05	5	55.8mm [2.2 in]
HE6HWPR/06	6	67.8mm [2.67 in]
HE6HWPR/07	7	79.8mm [3.14 in]
HE6HWPR/08	8	91.8mm [3.61 in]
HE6HWPR/09	9	103.8mm [4.09 in]
HE6HWPR/10	10	115.8mm [4.56 in]
HE6HWPR/11	11	127.8mm [5.03 in]
HE6HWPR/12	12	139.8mm [5.5 in]

UNLESS OTHERWISE SPECIFIED
 • ALL DIMENSIONS ARE IN MILLIMETERS
 • THIRD ANGLE PROJECTION

• TOLERANCE

XX	±	1.00 mm
XX.X	±	0.50 mm
XX.XX	±	0.20 mm
ALL	±	XX mm

This Drawing is the property of
Altech Corp.[®]
 35 Royal Road
 Flemington NJ 08822-6000
 (908) 806-9400 • Fax (908) 806-9490

AND IS A CONFIDENTIAL DISCLOSURE LENT WITHOUT CONSIDERATION OTHER THAN THE BORROWER'S AGREEMENT THAT IT SHALL NOT BE REPRODUCED, COPIED, LENT, OR DISPOSED OF DIRECTLY OR INDIRECTLY NOR USED FOR ANY PURPOSE OTHER THAN THAT FOR WHICH IT IS SPECIFICALLY FURNISHED.

TITLE: Terminal Strip Eurostrip Style, 40A, 600V
 12mm Pitch, PN: HE6HWPR/XX

DRAWN BY: Aron Gyorgypal	08/17/16	DRAWING NO.:	M-Cad-4es-HE6HWPR/XX	REV.:	-
CHECKED BY: Markus K	08/17/16	SCALE:	-	SHEET:	1 OF: 1
RELEASED BY: Laszlo G	08/17/16				