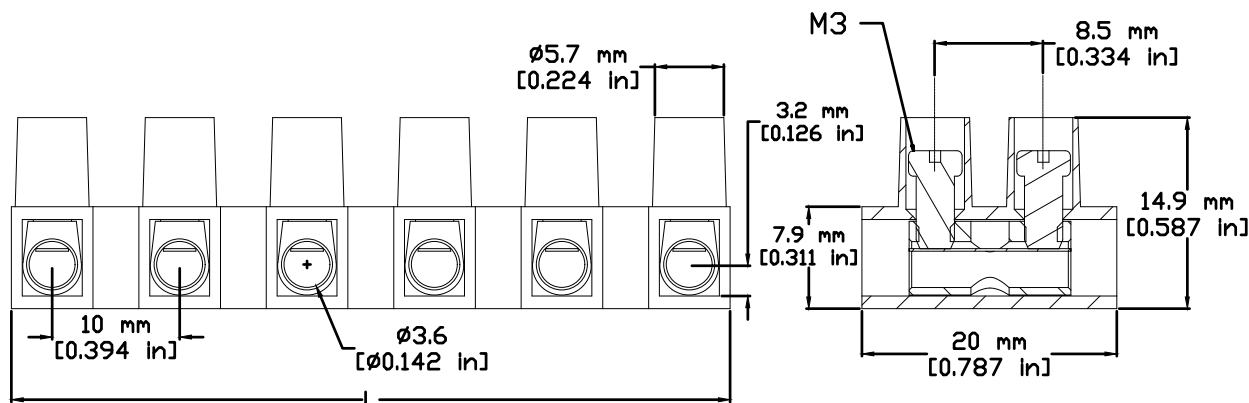
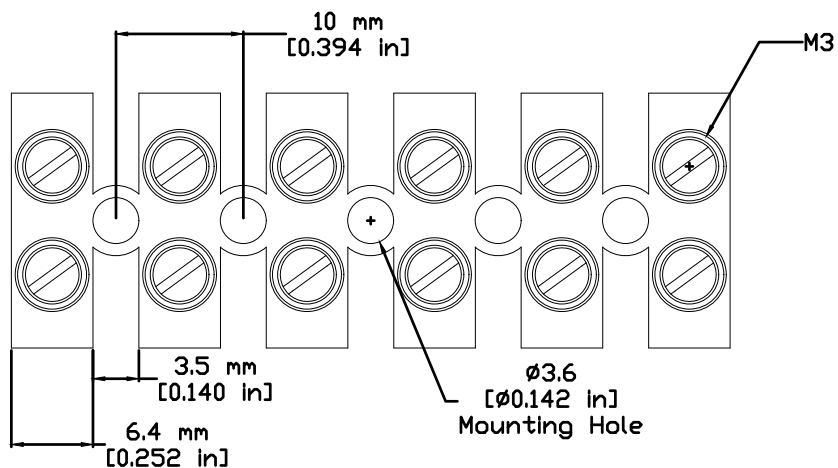


REVISIONS FOR DWG # HE4WPR/XX

REV	CH.NO.	DESCRIPTION	DATE	REVISED BY
-	-	ORIGINAL DESIGN	08/17/16	ARON G



Technical Ratings

	UL	IEC
Current Rating	30A	10A
Voltage Rating	300V	400V
Wire Size	24-10AWG	2.5-4mm <sup>2</sup>
Torque	7.0lb-in	0.4Nm

Material

Housing: Polyamide 66/6  
 Color: white  
 Insert: Tinned Brass  
 Screw: M3, bluechromated Steel  
 Temperature Rating: -30°C - 125°C

Cat. No.	No. of Poles	L
HE4NWPR/02	2	16.4mm [0.65 in]
HE4NWPR/03	3	26.4mm [1.04 in]
HE4NWPR/04	4	36.4mm [1.43 in]
HE4NWPR/05	5	46.4mm [1.83 in]
HE4NWPR/06	6	56.4mm [2.22 in]
HE4NWPR/07	7	66.4mm [2.61 in]
HE4NWPR/08	8	76.4mm [3.01 in]
HE4NWPR/09	9	86.4mm [3.4 in]
HE4NWPR/10	10	96.4mm [3.8 in]
HE4NWPR/11	11	106.4mm [4.19 in]
HE4NWPR/12	12	116.4mm [4.58 in]

UNLESS OTHERWISE SPECIFIED  
 • ALL DIMENSIONS ARE IN MILLIMETERS  
 • THIRD ANGLE PROJECTION

• TOLERANCE	
XX	± 1.00 mm
XX.X	± 0.50 mm
XX.XX	± 0.20 mm
ALL	± XX mm

CIRTEM

This Drawing is the property of

**Altech Corp.**

35 Royal Road  
 Flemington NJ 08822-6000  
 (908) 806-9400 • Fax (908) 806-9490

AND IS A CONFIDENTIAL DISCLOSURE LENT WITHOUT CONSIDERATION OTHER THAN THE BORROWER'S AGREEMENT THAT IT SHALL NOT BE REPRODUCED, COPIED, LENT, OR DISPOSED OF DIRECTLY OR INDIRECTLY NOR USED FOR ANY PURPOSE OTHER THAN THAT FOR WHICH IT IS SPECIFICALLY FURNISHED.

TITLE: Terminal Strip Eurostip Style, 30A, 300V  
 10 mm Pitch, PN: HE4WPR/XX

DRAWN BY: Aron Gyorgypal	08/17/16	DRAWING NO.: M-Cad-4es-HE4WPR/XX	REV.: -
CHECKED BY: Markus K	08/17/16		
RELEASED BY: Laszlo G	08/17/16	SCALE: -	SHEET: 1 OF: 1