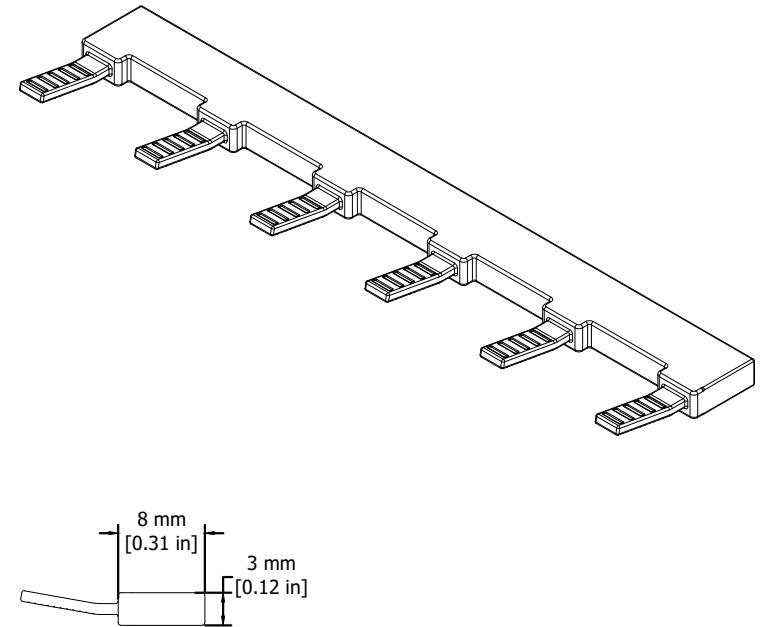
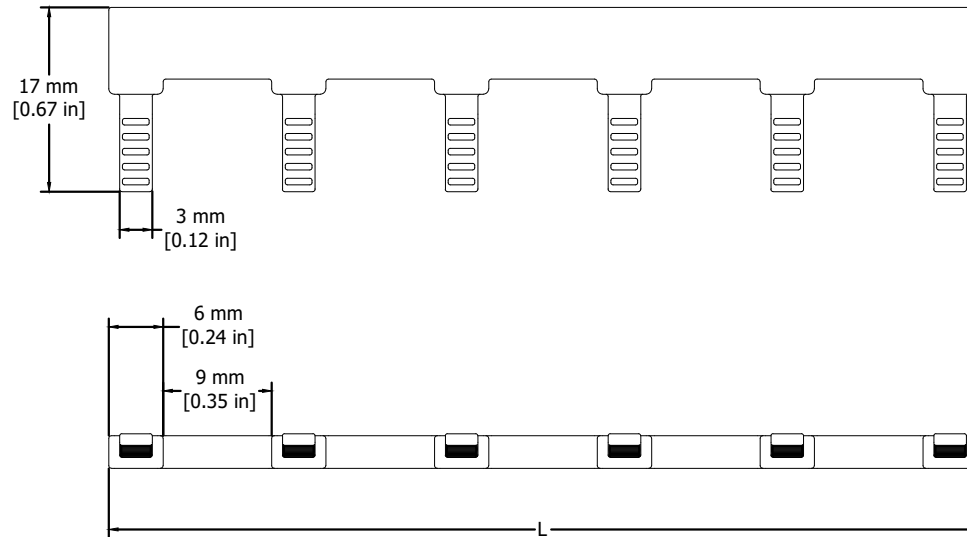


REVISIONS FOR DWG # HCL15-XX

REV	CH.NO.	DESCRIPTION	DATE	REVISED BY
-	-	ORIGINAL DESIGN	08/19/16	ARON G



Cat. No.	No. of Poles	L
HCL15-2	2	20mm [0.79 in]
HCL15-3	3	35mm [1.38 in]
HCL15-4	4	50mm [1.97 in]
HCL15-12	12	170mm [6.69 in]

UNLESS OTHERWISE SPECIFIED
 • ALL DIMENSIONS ARE IN MILLIMETERS
 • THIRD ANGLE PROJECTION

• TOLERANCE	
XX	± 1.00 mm
XX.X	± 0.50 mm
XX.XX	± 0.20 mm
ALL	± XX mm

C-RTM

This Drawing is the property of
Altrech Corp.

35 Royal Road
 Flemington NJ 08822-6000
 (908) 806-9400 • Fax (908) 806-9490

AND IS A CONFIDENTIAL DISCLOSURE LENT WITHOUT CONSIDERATION OTHER THAN THE BORROWER'S AGREEMENT THAT IT SHALL NOT BE REPRODUCED, COPIED, LENT, OR DISPOSED OF DIRECTLY OR INDIRECTLY NOR USED FOR ANY PURPOSE OTHER THAN THAT FOR WHICH IT IS SPECIFICALLY FURNISHED.

TITLE: External Jumpers for Eurostrip HE10 and HE16
 PN: HCL15-XX

DRAWN BY: Aron Gyorgypal	08/19/16	DRAWING NO.:	M-Cad-4es-HCL15-XX	REV.:	-
CHECKED BY: Markus K	08/19/16	SCALE:	-	SHEET:	1 OF: 1
RELEASED BY: Laszlo G	08/19/16				