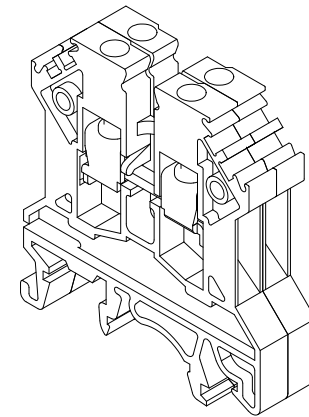
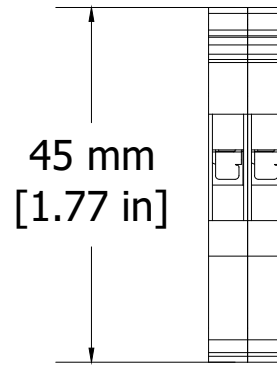
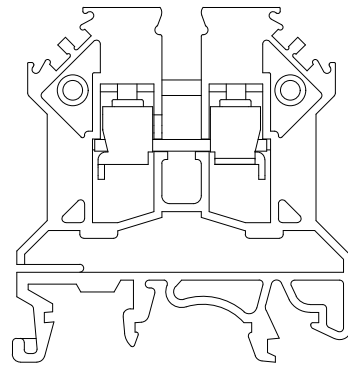
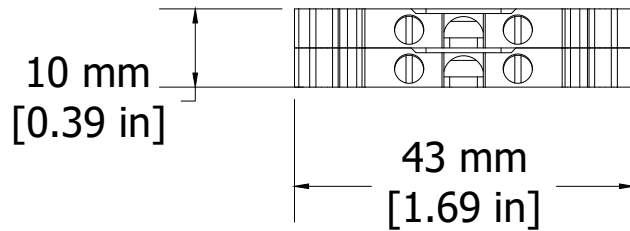


REVISIONS FOR DWG # CTT2.5UX

REV	CH.NO.	DESCRIPTION	DATE	REVISED BY
-	-	ORIGINAL DESIGN	08/09/16	ARON G



- CTT2.5UK 'K' type - Chromel (NiCr)
Alumel (NiAl)
- CTT2.5UJ 'J' type - Iron (Fe)
Constantan (CuNi)
- CTT2.5UT 'T' type - Copper (Cu)
Constantan (CuNi)
- CTT2.5UE 'E' type - Chromel (NiCr)
Constantan (CuNi)

Cat. No.	Std. Pk.
----------	----------

CTT2.5UK	50
CTT2.5UJ	50
CTT2.5UT	50
CTT2.5UE	50

Terminal Block

- UNLESS OTHERWISE SPECIFIED
- ALL DIMENSIONS ARE IN MILLIMETERS
 - THIRD ANGLE PROJECTION

• TOLERANCE	
XX	± 1.00 mm
XX.X	± 0.50 mm
XX.XX	± 0.20 mm
ALL	± XX mm

C-RTM

This Drawing is the property of

Altrech Corp.

35 Royal Road
Flemington NJ 08822-6000
(908) 806-9400 • Fax (908) 806-9490

AND IS A CONFIDENTIAL DISCLOSURE LENT WITHOUT CONSIDERATION OTHER THAN THE BORROWER'S AGREEMENT THAT IT SHALL NOT BE REPRODUCED, COPIED, LENT, OR DISPOSED OF DIRECTLY OR INDIRECTLY NOR USED FOR ANY PURPOSE OTHER THAN THAT FOR WHICH IT IS SPECIFICALLY FURNISHED.

TITLE: Thermocouple Terminal Block
PN: CTT2.5UX

DRAWN BY: Aron Gyorgypal	08/09/16
CHECKED BY: Markus K	08/09/16
RELEASED BY: Laszlo G	08/09/16

DRAWING NO.:	REV.:
M-Cad-2dr-CTT2.5UX	-
SCALE: -	SHEET: 1 OF: 1