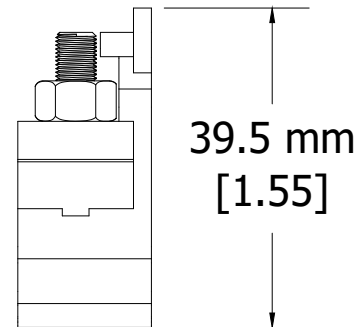
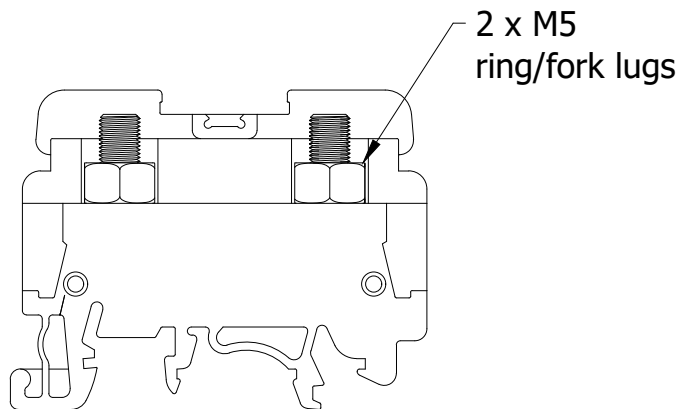
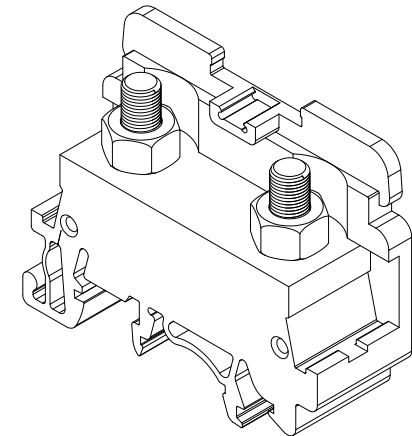
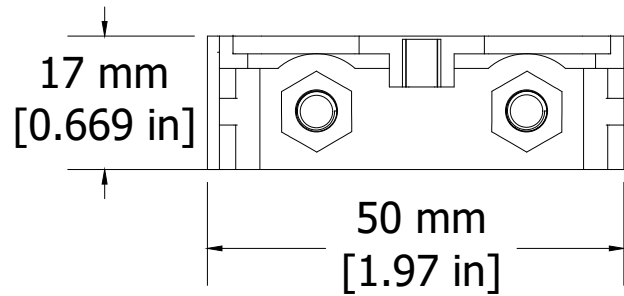


REVISIONS FOR DWG # CSTSN6U

REV	CH.NO.	DESCRIPTION	DATE	REVISED BY
-	-	ORIGINAL DESIGN	08/12/16	ARON G



Type of Connection: 2 screw connection  
for M5 ring/fork lugs

Cat. No. Std. Pk.  
CSTSN6U 100  
EPCSTSN6U 50

UNLESS OTHERWISE SPECIFIED • ALL DIMENSIONS ARE IN MILLIMETERS • THIRD ANGLE PROJECTION	This Drawing is the property of 		AND IS A CONFIDENTIAL DISCLOSURE LENT WITHOUT CONSIDERATION OTHER THAN THE BORROWER'S AGREEMENT THAT IT SHALL NOT BE REPRODUCED, COPIED, LENT, OR DISPOSED OF DIRECTLY OR INDIRECTLY NOR USED FOR ANY PURPOSE OTHER THAN THAT FOR WHICH IT IS SPECIFICALLY FURNISHED.		TITLE: Stud Type Terminal Block PN: CSTSN6U	
	• TOLERANCE XX     ∓     1.00 mm XX.X   ∓     0.50 mm XX.XX  ∓     0.20 mm ALL     ∓     XX mm	35 Royal Road Flemington NJ 08822-6000 (908) 806-9400 • Fax (908) 806-9490	DRAWN BY: Aron Gyorgypal	08/12/16	DRAWING NO.: M-Cad-2dr-CSTSN6U	REV.: -
		CHECKED BY: Markus K	08/12/16	SCALE:     -	SHEET: 1   OF: 1	
		RELEASED BY: Laszlo G	08/12/16			