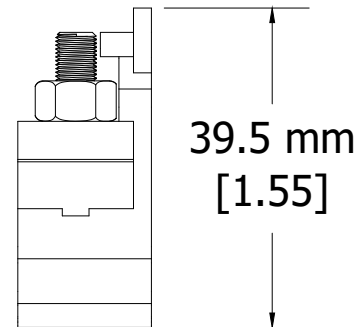
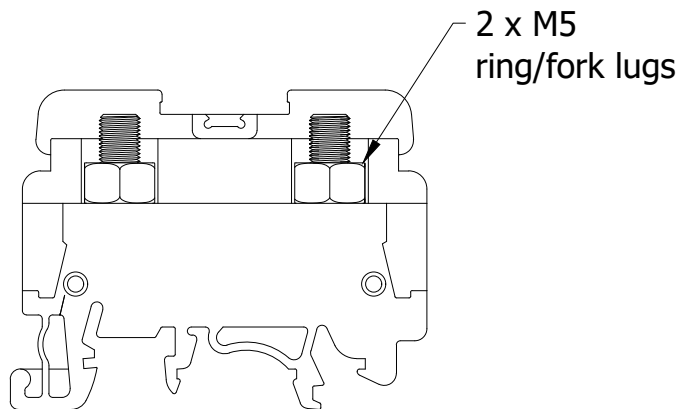
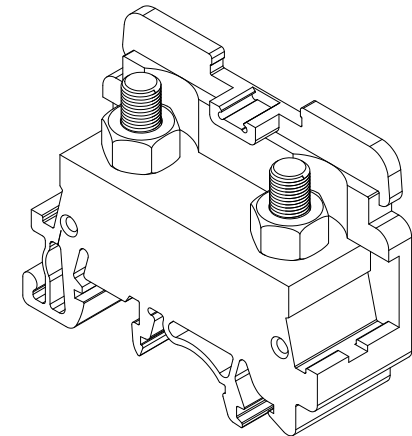
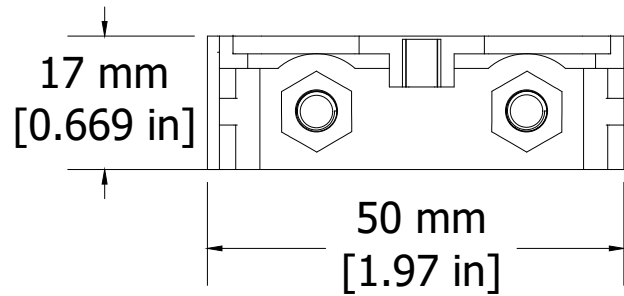


REVISIONS FOR DWG # CSTSN5U

REV	CH.NO.	DESCRIPTION	DATE	REVISED BY
-	-	ORIGINAL DESIGN	08/12/16	ARON G



Type of Connection: 2 screw connection
for M5 ring/fork lugs

Cat. No.	Std. Pk.
CSTSN5U	100
EPCSTSN5U	50

UNLESS OTHERWISE SPECIFIED • ALL DIMENSIONS ARE IN MILLIMETERS • THIRD ANGLE PROJECTION	This Drawing is the property of Altrech Corp. 35 Royal Road Flemington NJ 08822-6000 (908) 806-9400 • Fax (908) 806-9490	AND IS A CONFIDENTIAL DISCLOSURE LENT WITHOUT CONSIDERATION OTHER THAN THE BORROWER'S AGREEMENT THAT IT SHALL NOT BE REPRODUCED, COPIED, LENT, OR DISPOSED OF DIRECTLY OR INDIRECTLY NOR USED FOR ANY PURPOSE OTHER THAN THAT FOR WHICH IT IS SPECIFICALLY FURNISHED.		TITLE: Stud Type Terminal Block PN: CSTSN5U	
		• TOLERANCE XX \pm 1.00 mm XX.X \pm 0.50 mm XX.XX \pm 0.20 mm ALL \pm XX mm	DRAWN BY: Aron Gyorgypal 08/12/16	CHECKED BY: Markus K 08/12/16	DRAWING NO.: M-Cad-2dr-CSTSN5U
SCALE: -		SHEET: 1 OF: 1			