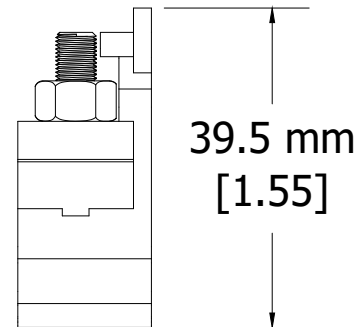
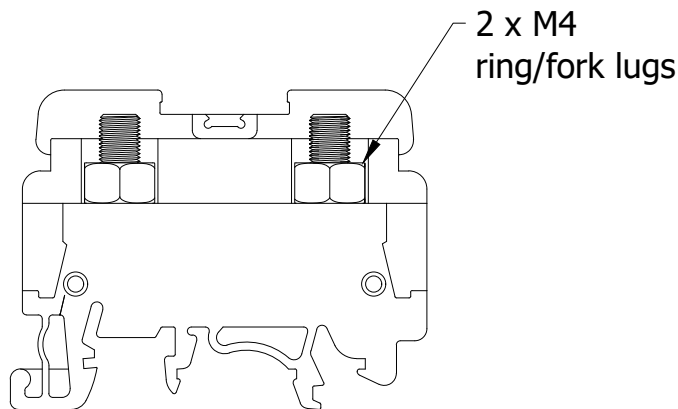
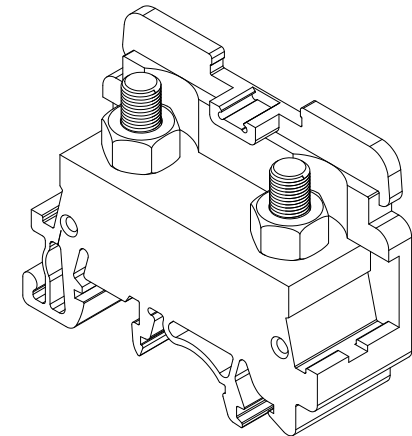
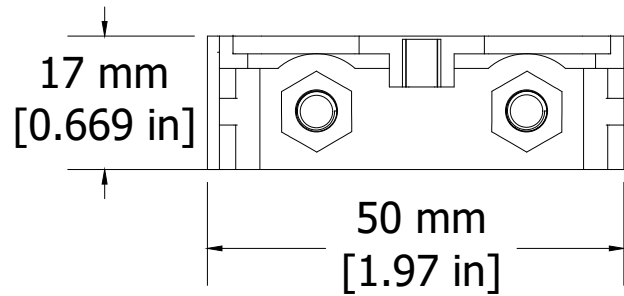


REVISIONS FOR DWG # CSTSN4U

REV	CH.NO.	DESCRIPTION	DATE	REVISED BY
-	-	ORIGINAL DESIGN	08/12/16	ARON G



Type of Connection: 2 screw connection
for M4 ring/fork lugs

Cat. No. Std. Pk.
CSTSN4U 100
EPCSTSN4U 50

UNLESS OTHERWISE SPECIFIED
• ALL DIMENSIONS ARE IN MILLIMETERS
• THIRD ANGLE PROJECTION

• TOLERANCE	
XX	± 1.00 mm
XX.X	± 0.50 mm
XX.XX	± 0.20 mm
ALL	± XX mm

CIRTEM

This Drawing is the property of
Altrech Corp.

35 Royal Road
Flemington NJ 08822-6000
(908) 806-9400 • Fax (908) 806-9490

AND IS A CONFIDENTIAL DISCLOSURE
LENT WITHOUT CONSIDERATION OTHER
THAN THE BORROWER'S AGREEMENT
THAT IT SHALL NOT BE REPRODUCED,
COPIED, LENT, OR DISPOSED OF
DIRECTLY OR INDIRECTLY NOR USED
FOR ANY PURPOSE OTHER THAN THAT
FOR WHICH IT IS SPECIFICALLY
FURNISHED.

TITLE: Stud Type Terminal Block
PN: CSTSN4U

DRAWN BY: Aron Gyorgypal	08/12/16	DRAWING NO.:	M-Cad-2dr-CSTSN4U	REV.:	-
CHECKED BY: Markus K	08/12/16	SCALE:	-	SHEET: 1	OF: 1
RELEASED BY: Laszlo G	08/12/16				