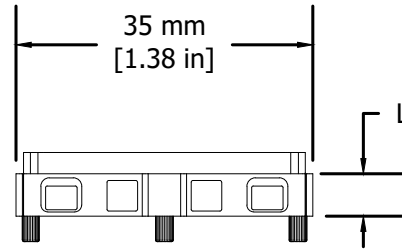
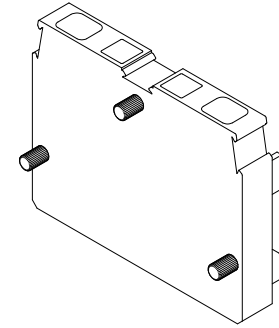


REVISIONS FOR DWG # CSCP2.5T , CSCP2.5T2

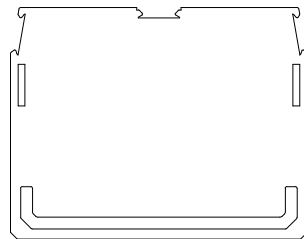
REV	CH.NO.	DESCRIPTION	DATE	REVISED BY
-	-	ORIGINAL DESIGN	08/17/16	ARON G



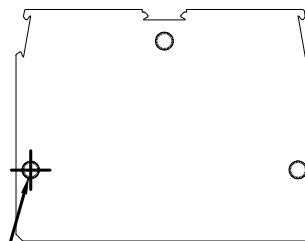
Top View



CSCP2.5T

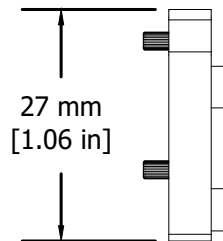


Back View

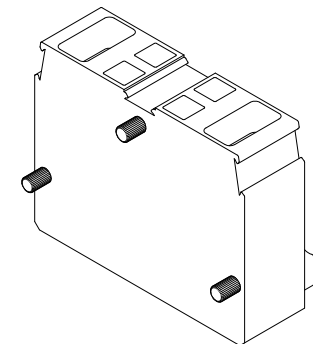


Front View

$\phi 2\text{ mm}$
[0.078 in]



Side View



CSCP2.5T2

PART NUMBER	L
CSCP2.5T	5 mm [0.197 in]
CSCP2.5T2	10 mm [0.394 in]

- UNLESS OTHERWISE SPECIFIED
- ALL DIMENSIONS ARE IN MILLIMETERS
- THIRD ANGLE PROJECTION

TOLERANCE	
XX	1.00 mm
XX.X	0.50 mm
XX.XX	0.20 mm
ALL	XX mm

CIRTEM

This Drawing is the property of

Altrech Corp.[®]

35 Royal Road
Flemington NJ 08822-6000
(908) 806-9400 • Fax (908) 806-9490

AND IS A CONFIDENTIAL DISCLOSURE LENT WITHOUT CONSIDERATION OTHER THAN THE BORROWER'S AGREEMENT THAT IT SHALL NOT BE REPRODUCED, COPIED, LENT, OR DISPOSED OF DIRECTLY OR INDIRECTLY NOR USED FOR ANY PURPOSE OTHER THAN THAT FOR WHICH IT IS SPECIFICALLY FURNISHED.

TITLE: Spring Clamp Panel Mount
PN: CSCP2.5T, CSCP2.5T2

DRAWN BY: Aron Gyorgypal	08/17/16
CHECKED BY: Markus K	08/17/16
RELEASED BY: Laszlo G	08/17/16

DRAWING NO.:	M-Cad-2dr-CSCP2.5T(2)	REV.:	-
SCALE:	-	SHEET:	1 OF: 1