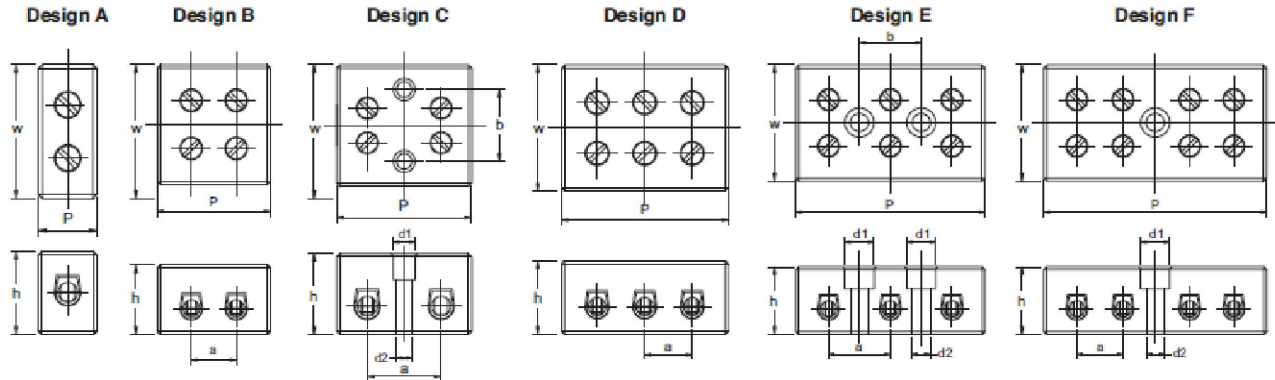
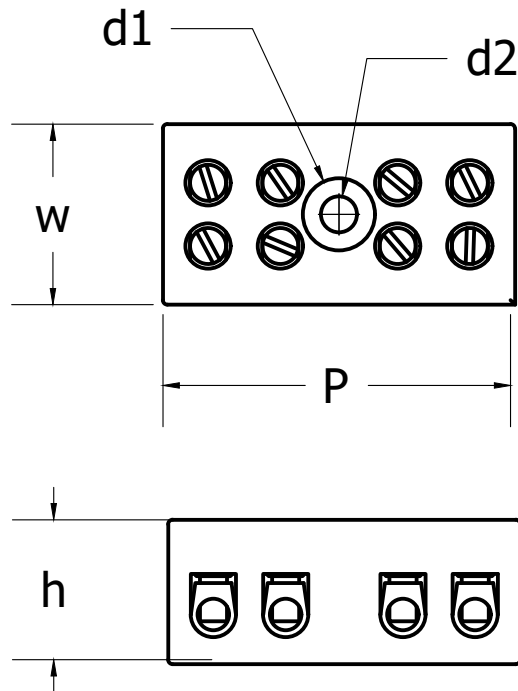
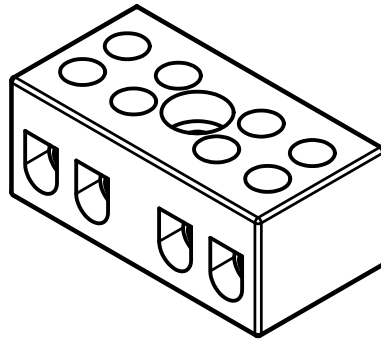


REVISIONS FOR DWG # CBx

REV	CH.NO.	DESCRIPTION	DATE	REVISED BY
-	-	ORIGINAL DESIGN	07/28/16	ARON G



Type Cat. No.	Design Type	No. of Poles	Stripping Length	P	a	b	w	h	d1	d2	Recommended Mounting Screw
CB4/1	A	1	6	11	-	-	23	18.5	-	-	-
CB4/2	B	2	6	18	7.3	-	23	18.5	-	-	-
CB4/2H	C	2	6	24	13	14.6	23	18.5	6	3.5	M3 x 16
CB4/3	D	3	6	25	7.3	-	23	18.5	-	-	-
CB4/3H	E	3	6	36	13	13	23	18.5	6	3.5	M3 x 16
CB6/1	A	1	6	12	-	-	25.5	19.5	-	-	-
CB6/2H	C	2	6	26	15	12.6	25.5	19.5	6	3.5	M3 x 16
CB6/3H	E	3	6	41	15	15	25.5	19.5	6	3.5	M3 x 16
CB16/2H	C	2	8.5	31	17	16.5	28	23.2	6	3.5	M3 x 20
CB16/3H	E	3	8.5	48	17	17	28	23.2	6	3.5	M3 x 20
CB6/4H	F	4	6	39	8	-	20	16	6	3.5	M3 x 16

UNLESS OTHERWISE SPECIFIED  
 • ALL DIMENSIONS ARE IN MILLIMETERS  
 • THIRD ANGLE PROJECTION

• TOLERANCE	
XX	± 1.00 mm
XX.X	± 0.50 mm
XX.XX	± 0.20 mm
ALL	± XX mm

C-THINK

This Drawing is the property of

**Altrech Corp.**

35 Royal Road  
 Flemington NJ 08822-6000  
 (908) 806-9400 • Fax (908) 806-9490

AND IS A CONFIDENTIAL DISCLOSURE LENT WITHOUT CONSIDERATION OTHER THAN THE BORROWER'S AGREEMENT THAT IT SHALL NOT BE REPRODUCED, COPIED, LENT, OR DISPOSED OF DIRECTLY OR INDIRECTLY NOR USED FOR ANY PURPOSE OTHER THAN THAT FOR WHICH IT IS SPECIFICALLY FURNISHED.

TITLE: High Temperature Ceramic EuroBlock

DRAWN BY: Aron Gyorgypal	07/28/16	DRAWING NO.:	M-Cad-2dr-CBx	REV.:	-
CHECKED BY: Laszlo G	07/28/16	SCALE:	-	SHEET:	1 OF: 1
RELEASED BY: Laszlo G	07/28/16				