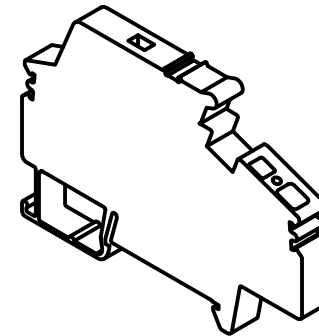
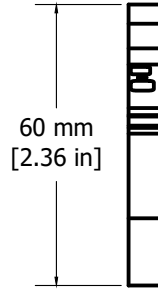
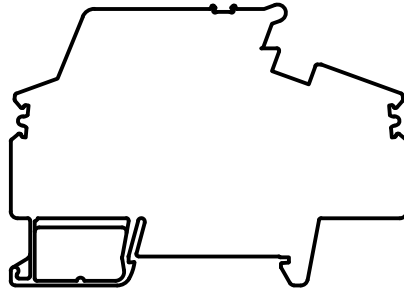
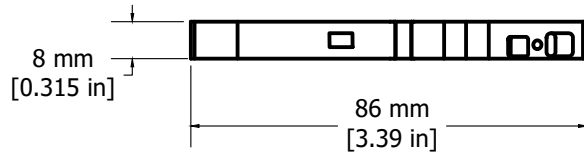
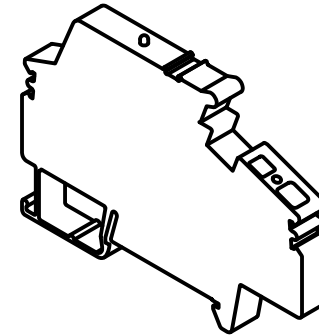


REVISIONS FOR DWG # ASF4 , ASF4L

REV	CH.NO.	DESCRIPTION	DATE	REVISED BY
-	-	ORIGINAL DESIGN	08/16/16	ARON G



ASF4



ASF4(L)

UNLESS OTHERWISE SPECIFIED
 • ALL DIMENSIONS ARE IN MILLIMETERS
 • THIRD ANGLE PROJECTION

• TOLERANCE	
XX	∅ 1.00 mm
XX.X	∅ 0.50 mm
XX.XX	∅ 0.20 mm
ALL	∅ XX mm

C-RTM

This Drawing is the property of

Altrech Corp.

35 Royal Road
 Flemington NJ 08822-6000
 (908) 806-9400 • Fax (908) 806-9490

AND IS A CONFIDENTIAL DISCLOSURE
 LENT WITHOUT CONSIDERATION OTHER
 THAN THE BORROWER'S AGREEMENT
 THAT IT SHALL NOT BE REPRODUCED,
 COPIED, LENT, OR DISPOSED OF
 DIRECTLY OR INDIRECTLY NOR USED
 FOR ANY PURPOSE OTHER THAN THAT
 FOR WHICH IT IS SPECIFICALLY
 FURNISHED.

TITLE: Fuse Spring Clamp 5x20 and 5x25mm
 PN: ASF4 , ASF4L

DRAWN BY: Aron Gyorgypal	08/16/16	DRAWING NO.:	REV.:
CHECKED BY: Markus K	08/16/16	M-Cad-2dr-ASF4(L)	-
RELEASED BY: Laszlo G	08/16/16	SCALE: -	SHEET: 1 OF: 1