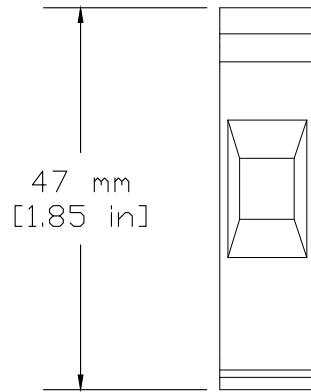
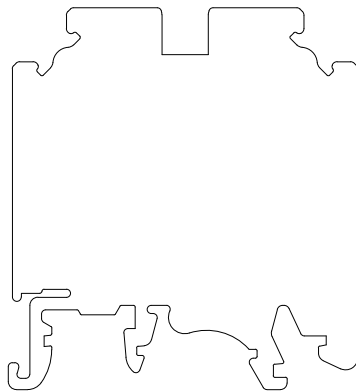
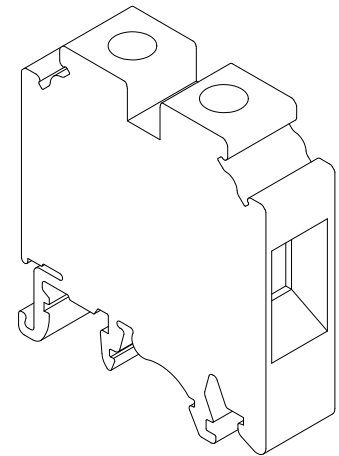
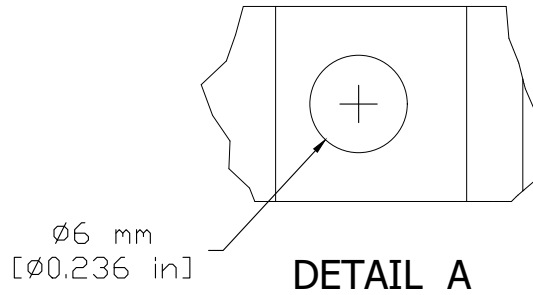
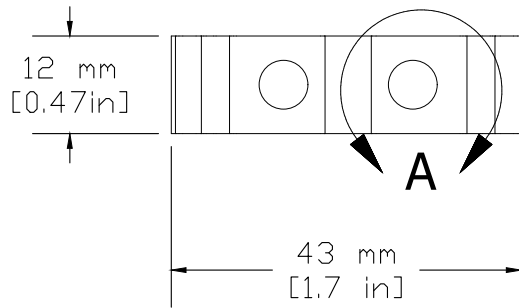


REVISIONS FOR DWG # CTS16U

REV	CH.NO.	DESCRIPTION	DATE	REVISED BY
-	-	ORIGINAL DESIGN	07/29/16	ARON G



UNLESS OTHERWISE SPECIFIED
 • ALL DIMENSIONS ARE IN MILLIMETERS
 • THIRD ANGLE PROJECTION

TOLERANCE	
XX	1.00 mm
XX.X	0.50 mm
XX.XX	0.20 mm
ALL	XX mm

CIRTEM

This Drawing is the property of
Altech Corp.

35 Royal Road
 Flemington NJ 08822-6000
 (908) 806-9400 • Fax (908) 806-9490

AND IS A CONFIDENTIAL DISCLOSURE
 LENT WITHOUT CONSIDERATION OTHER
 THAN THE BORROWER'S AGREEMENT
 THAT IT SHALL NOT BE REPRODUCED,
 COPIED, LENT, OR DISPOSED OF
 DIRECTLY OR INDIRECTLY NOR USED
 FOR ANY PURPOSE OTHER THAN THAT
 FOR WHICH IT IS SPECIFICALLY
 FURNISHED.

TITLE: Screw Clamp Feed-Through Terminal
 PN: CTS16U

DRAWN BY: Aron Gyorgypal	07/29/16	DRAWING NO.:	M-Cad-2dr-CTS16U	REV.:	-
CHECKED BY: Laszlo G	07/29/16	SCALE:	-	SHEET:	1 OF: 1
RELEASED BY: Laszlo G	07/29/16				