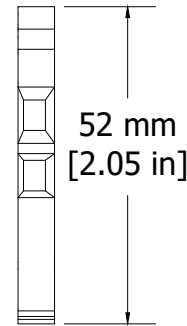
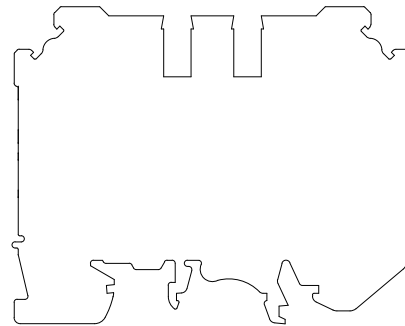
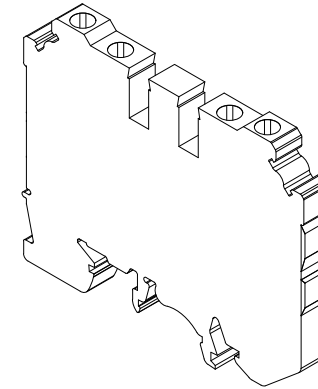
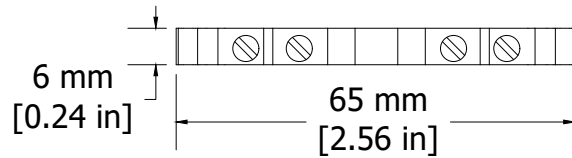


REVISIONS FOR DWG # CMCG4

REV	CH.NO.	DESCRIPTION	DATE	REVISED BY
-	-	ORIGINAL DESIGN	05/26/17	ARON G



Height w DIN Rail	35 x 7.5 mm	53.7 mm
	35 x 15 mm	60.9 mm

UNLESS OTHERWISE SPECIFIED  
 • ALL DIMENSIONS ARE IN MILLIMETERS  
 • THIRD ANGLE PROJECTION

• TOLERANCE

XX	∅	1.00 mm
XX.X	∅	0.50 mm
XX.XX	∅	0.20 mm
ALL	∅	XX mm

C-RTM

This Drawing is the property of

**Altrech Corp.**

35 Royal Road  
 Flemington NJ 08822-6000  
 (908) 806-9400 • Fax (908) 806-9490

AND IS A CONFIDENTIAL DISCLOSURE LENT WITHOUT CONSIDERATION OTHER THAN THE BORROWER'S AGREEMENT THAT IT SHALL NOT BE REPRODUCED, COPIED, LENT, OR DISPOSED OF DIRECTLY OR INDIRECTLY NOR USED FOR ANY PURPOSE OTHER THAN THAT FOR WHICH IT IS SPECIFICALLY FURNISHED.

TITLE: Feed Through Multi-Connection Terminal  
 CMCG4

DRAWN BY: Aron Gyorgypal	05/26/17	DRAWING NO.:	M-Cad-2dr-CMCG4	REV.:	-
CHECKED BY: Laszlo G	05/26/17	SCALE:	-	SHEET: 1	OF: 1
RELEASED BY: Laszlo G	05/26/17				