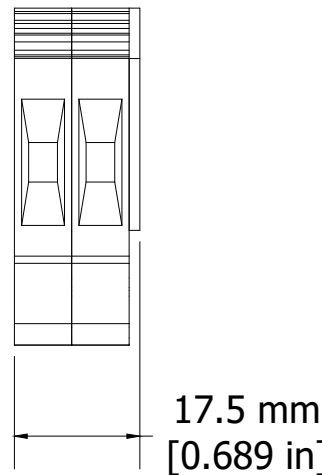
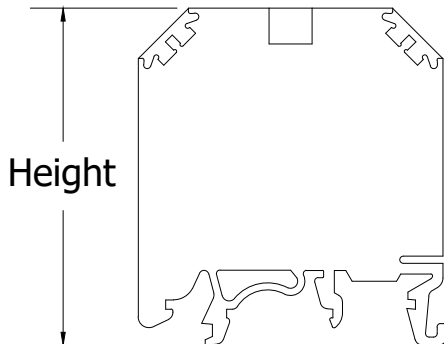
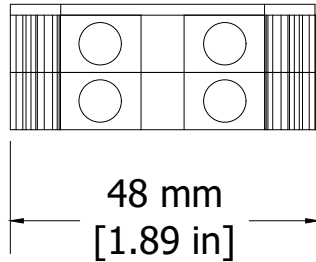
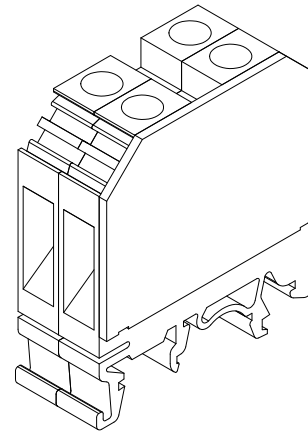


REVISIONS FOR DWG # CMDB6/X

REV	CH.NO.	DESCRIPTION	DATE	REVISED BY
-	-	ORIGINAL DESIGN	05/24/17	ARON G



Dimensions

		50 A Distribution Terminal Block
Width	2 pole	17.5 mm
	3 pole	25.5 mm
	4 pole	33.5 mm
	10 pole	81.5 mm
Length		48 mm
Height w DIN Rail	35 x 7.5 mm	47.8 mm
	35 x 15 mm	55.5 mm

UNLESS OTHERWISE SPECIFIED
 • ALL DIMENSIONS ARE IN MILLIMETERS
 • THIRD ANGLE PROJECTION

• TOLERANCE

XX	≡	1.00 mm
XX.X	≡	0.50 mm
XX.XX	≡	0.20 mm
ALL	≡	XX mm

C-RTM

This Drawing is the property of
Altrech Corp.[®]

35 Royal Road
 Flemington NJ 08822-6000
 (908) 806-9400 • Fax (908) 806-9490

AND IS A CONFIDENTIAL DISCLOSURE LENT WITHOUT CONSIDERATION OTHER THAN THE BORROWER'S AGREEMENT THAT IT SHALL NOT BE REPRODUCED, COPIED, LENT, OR DISPOSED OF DIRECTLY OR INDIRECTLY NOR USED FOR ANY PURPOSE OTHER THAN THAT FOR WHICH IT IS SPECIFICALLY FURNISHED.

TITLE: Multi I/O Distribution Terminal Block
 CMDB6/X

DRAWN BY: Aron Gyorgypal	05/24/17	DRAWING NO.:	M-Cad-2dr-CMDB6_X	REV.:	-
CHECKED BY: Laszlo G	05/24/17	SCALE:	-	SHEET:	1 OF: 1
RELEASED BY: Laszlo G	05/24/17				