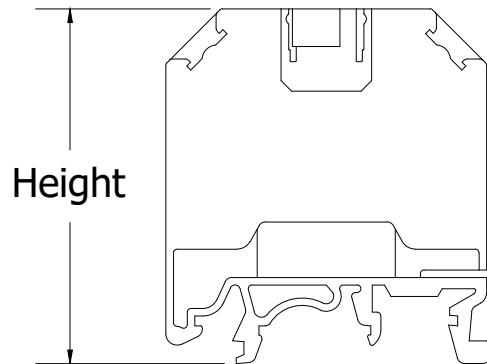
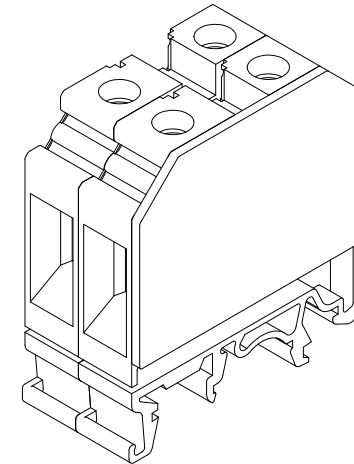
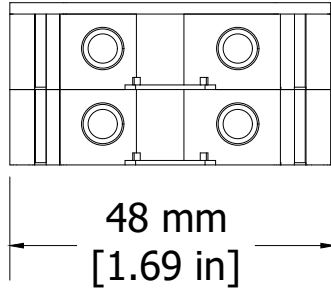
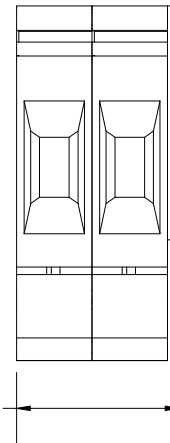


REVISIONS FOR DWG # CMDB10/X

REV	CH.NO.	DESCRIPTION	DATE	REVISED BY
-	-	ORIGINAL DESIGN	05/24/17	ARON G



21.5 mm
[0.85 mm]



Dimensions

		65 A Distribution Terminal Block
Width	2 pole	21.5 mm
	3 pole	31.5 mm
	4 pole	41.5 mm
	10 pole	101.5 mm
Length		48 mm
Height w DIN Rail	35 x 7.5 mm	47.8 mm
	35 x 15 mm	55.5 mm

UNLESS OTHERWISE SPECIFIED
 • ALL DIMENSIONS ARE IN MILLIMETERS
 • THIRD ANGLE PROJECTION

• TOLERANCE	
XX	∅ 1.00 mm
XX.X	∅ 0.50 mm
XX.XX	∅ 0.20 mm
ALL	∅ XX mm

C-RTM

This Drawing is the property of

Altrech Corp.[®]

35 Royal Road
 Flemington NJ 08822-6000
 (908) 806-9400 • Fax (908) 806-9490

AND IS A CONFIDENTIAL DISCLOSURE
 LENT WITHOUT CONSIDERATION OTHER
 THAN THE BORROWER'S AGREEMENT
 THAT IT SHALL NOT BE REPRODUCED,
 COPIED, LENT, OR DISPOSED OF
 DIRECTLY OR INDIRECTLY NOR USED
 FOR ANY PURPOSE OTHER THAN THAT
 FOR WHICH IT IS SPECIFICALLY
 FURNISHED.

TITLE: Multi I/O Distribution Terminal Block
 CMDB10/X

DRAWN BY: Aron Gyorgypal	05/24/17	DRAWING NO.:	M-Cad-2dr-CMDB10_X	REV.:	-
CHECKED BY: Laszlo G	05/24/17	SCALE:	-	SHEET: 1	OF: 1
RELEASED BY: Laszlo G	05/24/17				