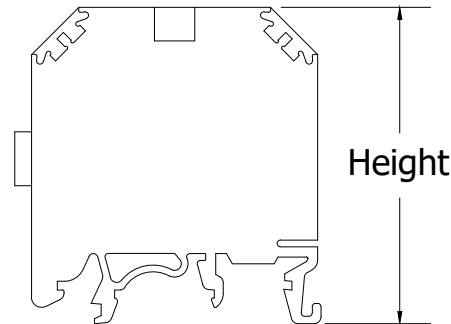
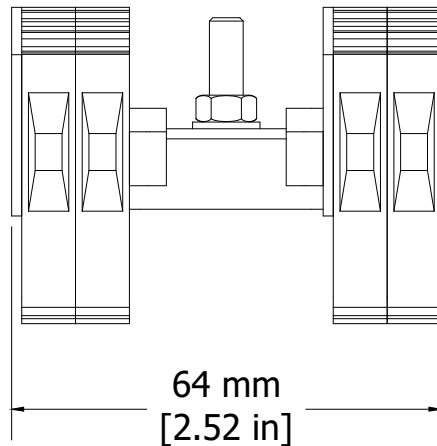
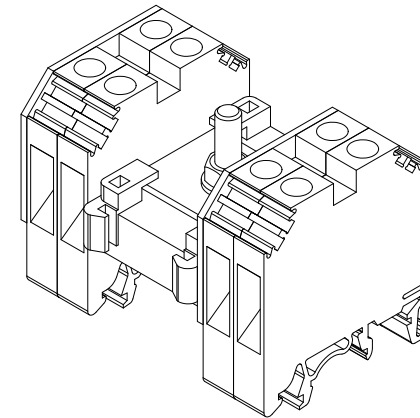
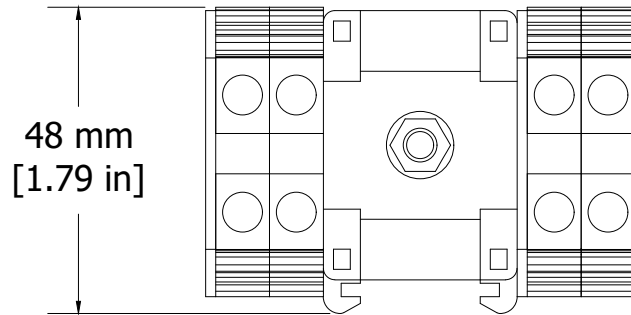


REVISIONS FOR DWG # CDB6/X

REV	CH.NO.	DESCRIPTION	DATE	REVISED BY
-	-	ORIGINAL DESIGN	05/24/17	ARON G



Dimensions & Weight

Width	4 Outputs
	8 Outputs
	12 Outputs
	16 Outputs
	20 Outputs
	24 Outputs

100A Distribution Terminal Block Center Feed

48.0 mm
64.0 mm
80.0 mm
96.0 mm
-
-

Length	48 mm
--------	-------

Height w DIN Rail	35 x 7.5 mm	47.8 mm
	35 x 15 mm	55.5 mm

UNLESS OTHERWISE SPECIFIED
 • ALL DIMENSIONS ARE IN MILLIMETERS
 • THIRD ANGLE PROJECTION

• TOLERANCE

XX	∅	1.00 mm
XX.X	∅	0.50 mm
XX.XX	∅	0.20 mm
ALL	∅	XX mm

C-RTM

This Drawing is the property of

Altrech Corp.

35 Royal Road
 Flemington NJ 08822-6000
 (908) 806-9400 • Fax (908) 806-9490

AND IS A CONFIDENTIAL DISCLOSURE LENT WITHOUT CONSIDERATION OTHER THAN THE BORROWER'S AGREEMENT THAT IT SHALL NOT BE REPRODUCED, COPIED, LENT, OR DISPOSED OF DIRECTLY OR INDIRECTLY NOR USED FOR ANY PURPOSE OTHER THAN THAT FOR WHICH IT IS SPECIFICALLY FURNISHED.

TITLE: Centered Feed Distrubution Terminal Block CDB6/X

DRAWN BY: Aron Gyorgypal	05/24/17
CHECKED BY: Laszlo G	05/24/17
RELEASED BY: Laszlo G	05/24/17

DRAWING NO.:	M-Cad-2dr-CDB6_X
--------------	------------------

REV.:	-
-------	---

SCALE:	-	SHEET: 1	OF: 1
--------	---	----------	-------