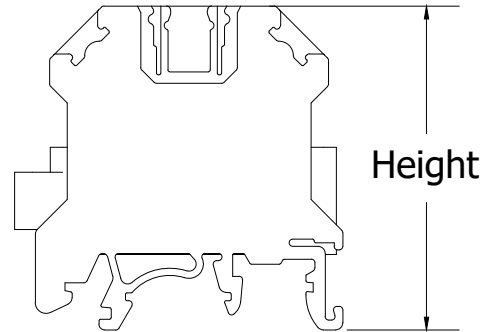
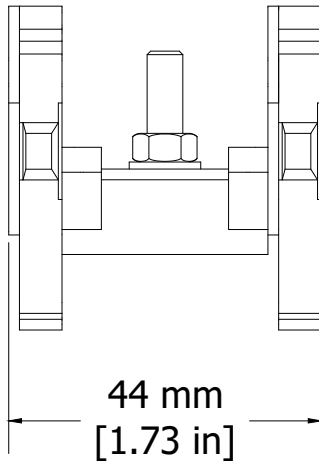
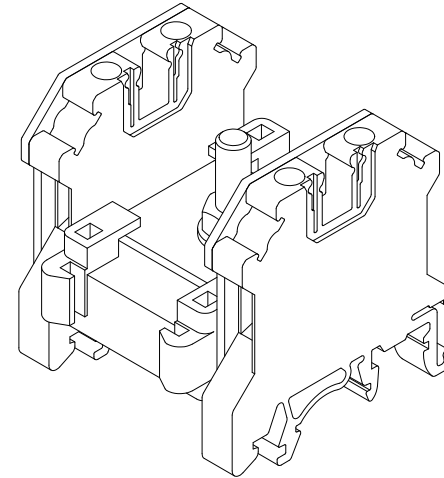
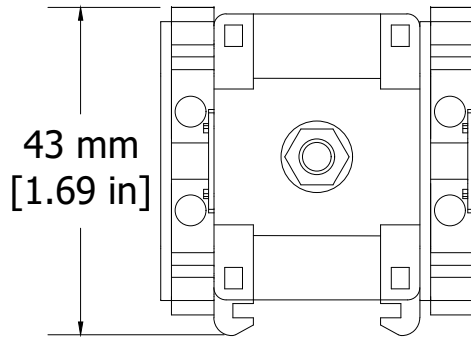


REVISIONS FOR DWG # CDB4/X

REV	CH.NO.	DESCRIPTION	DATE	REVISED BY
-	-	ORIGINAL DESIGN	05/23/17	ARON G



Dimensions & Weight

		50A Distribution Terminal Block Center Feed
Width	4 Outputs	44.0 mm
	8 Outputs	56.0 mm
	12 Outputs	68.0 mm
	16 Outputs	80.0 mm
	20 Outputs	96.0 mm
Length	24 Outputs	108.0 mm
		43 mm
Height w DIN Rail	35 x 7.5 mm	46.2 mm
	35 x 15 mm	53.7 mm

UNLESS OTHERWISE SPECIFIED
 • ALL DIMENSIONS ARE IN MILLIMETERS
 • THIRD ANGLE PROJECTION

This Drawing is the property of

Altrech Corp.

35 Royal Road
 Flemington NJ 08822-6000
 (908) 806-9400 • Fax (908) 806-9490

AND IS A CONFIDENTIAL DISCLOSURE LENT WITHOUT CONSIDERATION OTHER THAN THE BORROWER'S AGREEMENT THAT IT SHALL NOT BE REPRODUCED, COPIED, LENT, OR DISPOSED OF DIRECTLY OR INDIRECTLY NOR USED FOR ANY PURPOSE OTHER THAN THAT FOR WHICH IT IS SPECIFICALLY FURNISHED.

TITLE: Centered Feed Distrubution Terminal Block CDB4/X

• TOLERANCE

XX	∅	1.00 mm
XX.X	∅	0.50 mm
XX.XX	∅	0.20 mm
ALL	∅	XX mm

C-RTM

DRAWN BY: Aron Gyorgypal	05/23/17	DRAWING NO.:	M-Cad-2dr-CDB4_x	REV.:	-
CHECKED BY: Laszlo G	05/23/17	SCALE:	-	SHEET:	1 OF: 1
RELEASED BY: Laszlo G	05/23/17				