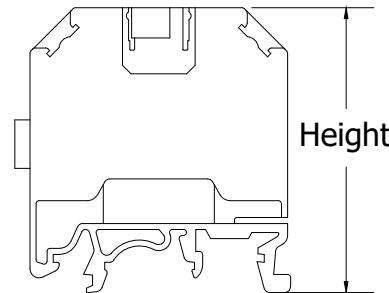
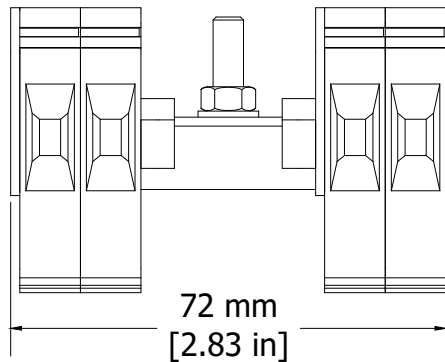
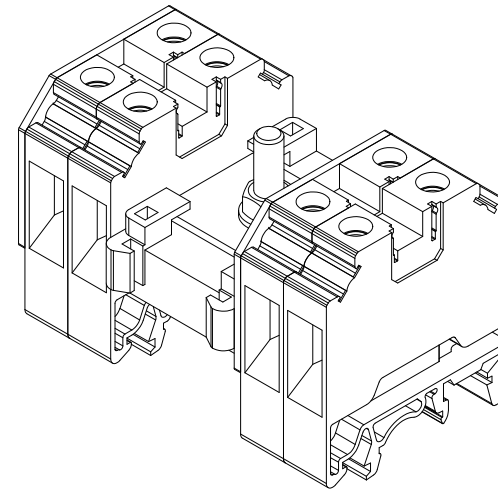
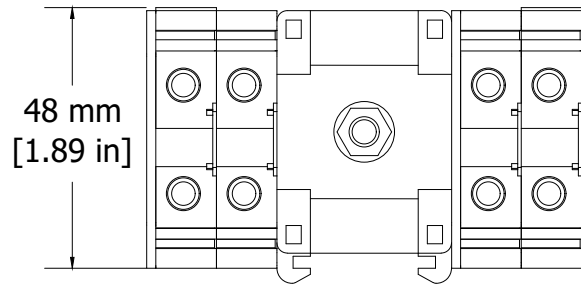


REVISIONS FOR DWG # CDB10/X

REV	CH.NO.	DESCRIPTION	DATE	REVISED BY
-	-	ORIGINAL DESIGN	05/24/17	ARON G



Dimensions & Weight

Width	4 Outputs 8 Outputs 12 Outputs 16 Outputs 20 Outputs 24 Outputs
Length	
Height w DIN Rail	35 x 7.5 mm 35 x 15 mm

130A Distribution Terminal Block Center Feed

-
72.0 mm
92.0 mm
112.0 mm
-
-

48 mm
47.8 mm
55.5 mm

UNLESS OTHERWISE SPECIFIED
 • ALL DIMENSIONS ARE IN MILLIMETERS
 • THIRD ANGLE PROJECTION

• TOLERANCE

XX	∅	1.00 mm
XX.X	∅	0.50 mm
XX.XX	∅	0.20 mm
ALL	∅	XX mm

C-RTM

This Drawing is the property of

Altech Corp.

35 Royal Road
 Flemington NJ 08822-6000
 (908) 806-9400 • Fax (908) 806-9490

AND IS A CONFIDENTIAL DISCLOSURE LENT WITHOUT CONSIDERATION OTHER THAN THE BORROWER'S AGREEMENT THAT IT SHALL NOT BE REPRODUCED, COPIED, LENT, OR DISPOSED OF DIRECTLY OR INDIRECTLY NOR USED FOR ANY PURPOSE OTHER THAN THAT FOR WHICH IT IS SPECIFICALLY FURNISHED.

TITLE: Centered Feed Distribution Terminal Block CDB10/X

DRAWN BY: Aron Gyorgypal	05/24/17
CHECKED BY: Laszlo G	05/24/17
RELEASED BY: Laszlo G	05/24/17

DRAWING NO.:	M-Cad-2dr-CDB10_X	REV.:	-
SCALE:	-	SHEET:	1 OF: 1