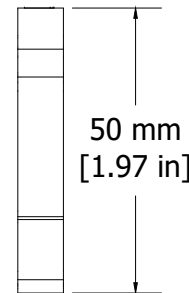
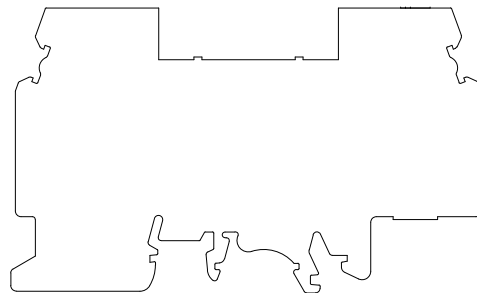
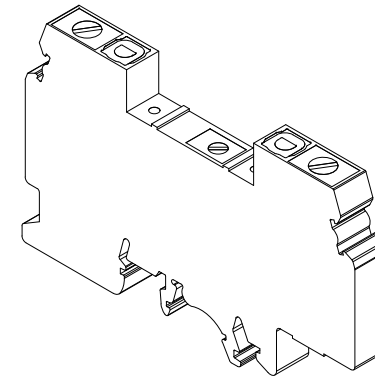
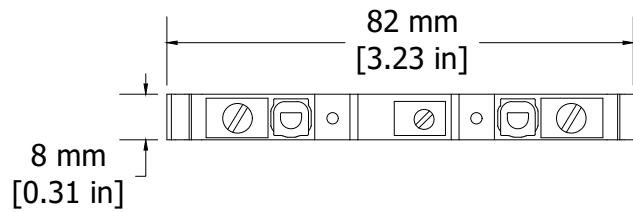


REVISIONS FOR DWG # CDS6U/SC

REV	CH.NO.	DESCRIPTION	DATE	REVISED BY
-	-	ORIGINAL DESIGN	05/31/17	ARON G



Dimensions & Weight		Slider Disconnect Spring Loaded Terminal
Width		8 mm
Length		82 mm
Height w DIN Rail	35 x 7.5 mm 35 x 15 mm	51.0 mm 59.2 mm
Weight per piece		30.9 g

UNLESS OTHERWISE SPECIFIED
 • ALL DIMENSIONS ARE IN MILLIMETERS
 • THIRD ANGLE PROJECTION

• TOLERANCE	
XX	∅ 1.00 mm
XX.X	∅ 0.50 mm
XX.XX	∅ 0.20 mm
ALL	∅ XX mm

C-RTM

This Drawing is the property of
Altrech Corp.

35 Royal Road
 Flemington NJ 08822-6000
 (908) 806-9400 • Fax (908) 806-9490

AND IS A CONFIDENTIAL DISCLOSURE
 LENT WITHOUT CONSIDERATION OTHER
 THAN THE BORROWER'S AGREEMENT
 THAT IT SHALL NOT BE REPRODUCED,
 COPIED, LENT, OR DISPOSED OF
 DIRECTLY OR INDIRECTLY NOR USED
 FOR ANY PURPOSE OTHER THAN THAT
 FOR WHICH IT IS SPECIFICALLY
 FURNISHED.

TITLE: Spring Loaded Disconnect Terminal Block
 PN: CDS6U/SC

DRAWN BY: Aron Gyorgypal	05/31/17	DRAWING NO.:	M-Cad-2dr-CDS6U_SC	REV.:	-
CHECKED BY: Laszlo G	05/31/17	SCALE:	-	SHEET:	1 OF: 1
RELEASED BY: Laszlo G	05/31/17				