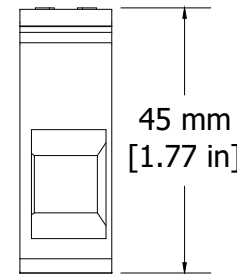
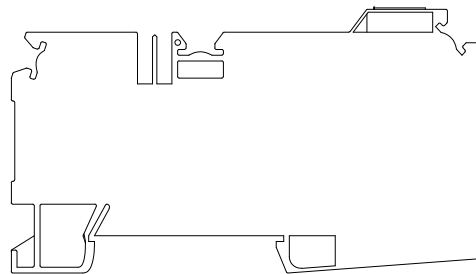
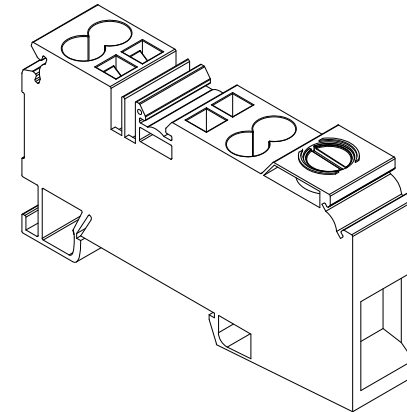
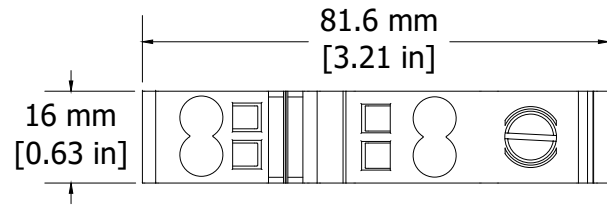


REVISIONS FOR DWG # CXDB35/10A

REV	CH.NO.	DESCRIPTION	DATE	REVISED BY
-	-	ORIGINAL DESIGN	05/31/17	ARON G



Dimensions & Weight

		1 Hex Screw Input 4 Spring Clamp Outputs
Width		16 mm
Length		81.6 mm
Height w DIN Rail	35 x 7.5 mm 35 x 15 mm	46.8 mm 54.3 mm
Weight per piece		53.2 g

UNLESS OTHERWISE SPECIFIED  
 • ALL DIMENSIONS ARE IN MILLIMETERS  
 • THIRD ANGLE PROJECTION

• TOLERANCE

XX	∅	1.00 mm
XX.X	∅	0.50 mm
XX.XX	∅	0.20 mm
ALL	∅	XX mm

CIRTIM

This Drawing is the property of

**Altrech Corp.**

35 Royal Road  
 Flemington NJ 08822-6000  
 (908) 806-9400 • Fax (908) 806-9490

AND IS A CONFIDENTIAL DISCLOSURE LENT WITHOUT CONSIDERATION OTHER THAN THE BORROWER'S AGREEMENT THAT IT SHALL NOT BE REPRODUCED, COPIED, LENT, OR DISPOSED OF DIRECTLY OR INDIRECTLY NOR USED FOR ANY PURPOSE OTHER THAN THAT FOR WHICH IT IS SPECIFICALLY FURNISHED.

TITLE: Compact Hybrid Distribution Block  
 CXDB35/10A

DRAWN BY: Aron Gyorgypal	05/31/17	DRAWING NO.:	M-Cad-2dr-CXDB35_10A	REV.:	-
CHECKED BY: Laszlo G	05/31/17	SCALE:	-	SHEET:	1 OF: 1
RELEASED BY: Laszlo G	05/31/17				